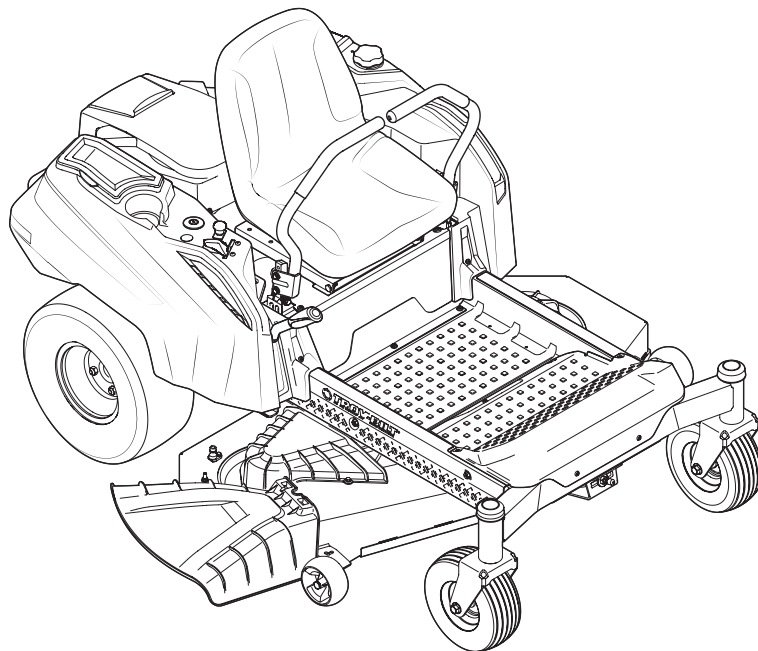




OPERATOR'S MANUAL



Mustang Series RZT

WARNING

**READ AND FOLLOW ALL SAFETY RULES AND INSTRUCTIONS IN THIS MANUAL
BEFORE ATTEMPTING TO OPERATE THIS MACHINE.
FAILURE TO COMPLY WITH THESE INSTRUCTIONS MAY RESULT IN PERSONAL INJURY.**

TROY-BILT LLC, P.O. BOX 361131 CLEVELAND, OHIO 44136-0019

Thank You

Thank you for purchasing a Troy-Bilt Zero-Turn Tractor. It was carefully engineered to provide excellent performance when properly operated and maintained.

Please read this entire manual prior to operating the equipment. It instructs you how to safely and easily set up, operate and maintain your machine. Please be sure that you, and any other persons who will operate the machine, carefully follow the recommended safety practices at all times. Failure to do so could result in personal injury or property damage.

All information in this manual is relative to the most recent product information available at the time of printing. Review this manual frequently to familiarize yourself with the machine, its features and operation. Please be aware that this Operator's Manual may cover a range of product specifications for various models. Characteristics and features discussed and/or illustrated in this manual may not be applicable to all models. We reserve the right to change product specifications, designs and equipment without notice and without incurring obligation.

If applicable, the power testing information used to establish the power rating of the engine equipped on this machine can be found at www.opei.org or the engine manufacturer's web site.

If you have any problems or questions concerning the machine, phone a authorized Troy-Bilt service dealer or contact us directly. Troy-Bilt's Customer Support telephone numbers, website address and mailing address can be found on this page. We want to ensure your complete satisfaction at all times.

Throughout this manual, all references to *right* and *left* side of the machine are observed from the operating position

The engine manufacturer is responsible for all engine-related issues with regards to performance, power-rating, specifications, warranty and service. Please refer to the engine manufacturer's Owner's/Operator's Manual, packed separately with your machine, for more information.

Table of Contents

Safe Operation Practices	3	Service	30
Assembly & Set-Up	9	Troubleshooting	35
Controls & Features.....	13	Replacement Parts	36
Operation.....	16	Attachments & Accessories	38
Maintenance & Adjustment	23	Warranties	42

Record Product Information

Before setting up and operating your new equipment, please locate the model plate on the equipment and record the information in the provided area to the right. This information will be necessary, should you seek technical support via our web site, Customer Support Department, or with a local authorized service dealer. Pivot the seat assembly forward to locate the model plate on the underside of the seat pivot bracket.

MODEL NUMBER

--	--	--	--	--	--	--	--	--	--	--

SERIAL NUMBER

--	--	--	--	--	--	--	--	--	--	--

Customer Support

Please do NOT return the machine to the retailer or dealer without first contacting the Customer Support Department.

If you have difficulty assembling this product or have any questions regarding the controls, operation, or maintenance of this machine, you can seek help from the experts. Choose from the options below:

- ◇ Visit us on the web at www.troybilt.com



See How-to Maintenance and Parts Installation Videos at www.troybilt.com/tutorials

- ◇ Call a Customer Support Representative at (800) 828-5500 or (330) 558-7220
- ◇ Write to Troy-Bilt LLC • P.O. Box 361131 • Cleveland, OH • 44136-0019



WARNING! This symbol points out important safety instructions which, if not followed, could endanger the personal safety and/or property of yourself and others. Read and follow all instructions in this manual before attempting to operate this machine. Failure to comply with these instructions may result in personal injury.

When you see this symbol, **HEED ITS WARNING!**

CALIFORNIA PROPOSITION 65



WARNING! Engine Exhaust, some of its constituents, and certain vehicle components contain or emit chemicals known to State of California to cause cancer and birth defects or other reproductive harm.



WARNING! Battery posts, terminals, and related accessories contain lead and lead compounds, chemicals known to the State of California to cause cancer and reproductive harm. *Wash hands after handling*



DANGER! This machine was built to be operated according to the safe operation practices in this manual. As with any type of power equipment, carelessness or error on the part of the operator can result in serious injury. This machine is capable of amputating hands and feet and throwing objects. Failure to observe the following safety instructions could result in serious injury or death.

General Operation

1. Read, understand, and follow all instructions on the machine and in the manual(s) before attempting to assemble and operate. Keep this manual in a safe place for future and regular reference and for ordering replacement parts.
2. Be familiar with all controls and their proper operation. Know how to stop the machine and disengage them quickly.
3. Never allow children under 14 years of age to operate this machine. Children 14 and over should read and understand the instructions and safe operation practices in this manual and on the machine and should be trained and supervised by an adult.
4. Never allow adults to operate this machine without proper instruction.
5. To help avoid blade contact or a thrown object injury, keep bystanders, helpers, children and pets at least 75 feet from the machine while it is in operation. Stop machine if anyone enters the area.
6. Thoroughly inspect the area where the equipment is to be used. Remove all stones, sticks, wire, bones, toys, and other foreign objects which could be picked up and thrown by the blade(s). Thrown objects can cause serious personal injury.
7. Plan your mowing pattern to avoid discharge of material toward roads, sidewalks, bystanders and the like. Also, avoid discharging material against a wall or obstruction which may cause discharged material to ricochet back toward the operator.
8. Always wear safety glasses or safety goggles during operation and while performing an adjustment or repair to protect your eyes. Thrown objects which ricochet can cause serious injury to the eyes.
9. Wear sturdy, rough-soled work shoes and close-fitting slacks and shirts. Loose fitting clothes and jewelry can be caught in movable parts. Never operate this machine in bare feet or sandals.
10. Be aware of the mower and attachment discharge direction and do not point it at anyone. Do not operate the mower without the discharge cover or entire grass catcher in its proper place.
11. Do not put hands or feet near rotating parts or under the cutting deck. Contact with the blade(s) can amputate hands and feet.

12. A missing or damaged discharge cover can cause blade contact or thrown object injuries.
13. Stop the blade(s) when crossing gravel drives, walks, or roads and while not cutting grass.
14. Watch for traffic when operating near or crossing roadways. This machine is not intended for use on any public roadway.
15. Do not operate the machine while under the influence of alcohol or drugs.
16. Mow only in daylight or good artificial light.
17. Never carry passengers.
18. Do not use the machine for towing.
19. Back up slowly. Always look down and behind before and while backing to avoid a back-over accident. Be aware and pay attention to the safety system function that stops power to the blades when driving in reverse. If not functioning properly, contact an authorized dealer for safety system inspection and repair.
20. Slow down before turning. Operate the machine smoothly. Avoid erratic operation and excessive speed.
21. Disengage blade(s), set parking brake, stop engine and wait until the blade(s) come to a complete stop before removing grass catcher, emptying grass, unclogging chute, removing any grass or debris, or making any adjustments.
22. Never leave a running machine unattended. Always turn off blade(s), place drive control levers in neutral, set parking brake, stop engine and remove key before dismounting.
23. Use extra care when loading or unloading the machine into a trailer or truck. This machine should not be driven up or down ramp(s), because the machine could tip over, causing serious personal injury. The machine must be pushed manually on ramp(s) to load or unload properly.
24. Muffler and engine become hot and can cause a burn. Do not touch.
25. Check overhead clearances carefully before driving under low hanging tree branches, wires, door openings etc., where the operator may be struck or pulled from the machine, which could result in serious injury.
26. Disengage all attachment clutches, set the parking brake to the 'ON' position and move the RH and LH drive control levers to the neutral position before attempting to start the engine.
27. Your machine is designed to cut normal residential grass of a height no more than 10". Do not attempt to mow through unusually tall, dry grass (e.g., pasture) or piles of dry leaves. Dry grass or leaves may contact the engine exhaust and/or build up on the mower deck presenting a potential fire hazard.
28. Use only accessories and attachments approved for this machine by the machine manufacturer. Read, understand and follow all instructions provided with the approved accessory or attachment.
29. Data indicates that operators, age 60 years and above, are involved in a large percentage of riding mower-related injuries. These operators should evaluate their ability to operate the riding mower safely enough to protect themselves and others from serious injury.
30. If situations occur which are not covered in this manual, use care and good judgment. Contact your customer service representative for assistance.

Slope Operation

Slopes are a major factor related to loss of control and tip-over accidents which can result in severe injury or death. All slopes require extra caution. If you cannot back up the slope or if you feel uneasy on it, do not mow it.

For your safety, use the slope gauge included as part of this manual to measure slopes before operating this machine on a sloped or hilly area. If the slope is greater than 15 degrees as shown on the slope gauge, do not operate this machine on that area or serious injury could result.

Do:

1. Mow across slopes, not up and down. Exercise extreme caution when changing direction on slopes.
2. Watch for holes, ruts, bumps, rocks, or other hidden objects. Uneven terrain could overturn the machine. Tall grass can hide obstacles.
3. Use slow speed. Choose a low enough speed so that you will not have to stop while on the slope. Avoid starting or stopping on a slope. If the tires are unable to maintain traction, disengage the blades and proceed slowly and carefully straight down the slope.
4. Follow the manufacturer's recommendations for wheel weights or counterweights to improve stability.
5. Use extra care with grass catchers or other attachments. These can change the stability of the machine.
6. Keep all movement on the slopes slow and gradual. Do not make sudden changes in speed or direction. Rapid acceleration or deceleration could cause the front of the machine to lift and rapidly roll over backwards, which could cause serious injury.

Do Not:

1. Do not turn on slopes unless necessary; then turn slowly uphill and use extra care while turning.
2. Do not mow near drop-offs, ditches or embankments. The mower could suddenly turn over if a wheel is over the edge of a cliff, ditch, or if an edge caves in.
3. Do not try to stabilize the machine by putting your foot on the ground.
4. Do not use a grass catcher on steep slopes.
5. Do not mow on wet grass. Reduced traction could cause sliding.

Children

1. Tragic accidents can occur if the operator is not alert to the presence of children. Children are often attracted to the machine and the mowing activity. They do not understand the dangers. Never assume that children will remain where you last saw them.
 - a. Keep children out of the mowing area and in watchful care of a responsible adult other than the operator.
 - b. Be alert and turn machine off if a child enters the area.
 - c. To avoid back-over accidents, always look behind and down for small children.
 - d. Never carry children, even with the blade(s) shut off. They may fall off and be seriously injured or interfere with safe machine operation.
 - e. Use extreme care when approaching blind corners, doorways, shrubs, trees or other objects that may block your vision of a child who may run into the path of the machine.
 - f. Keep children away from hot or running engines. They can suffer burns from a hot muffler.
 - g. Remove key when machine is unattended to prevent unauthorized operation.
2. Never allow children under 14 years of age to operate this machine. Children 14 and over should read and understand the instructions and safe operation practices in this manual and on the machine and should be trained and supervised by an adult.

Service

Safe Handling of Gasoline:

1. To avoid personal injury or property damage use extreme care in handling gasoline. **Gasoline is extremely flammable and the vapors are explosive.** Serious personal injury can occur when gasoline is spilled on yourself or your clothes which can ignite. Wash your skin and change clothes immediately.
 - a. Use only an approved gasoline container.
 - b. Never fill containers inside a vehicle or on a truck or trailer bed with a plastic liner. Always place containers on the ground away from your vehicle before filling.
 - c. When practical, remove gas-powered equipment from the truck or trailer and refuel it on the ground. If this is not possible, then refuel such equipment on a trailer with a portable container, rather than from a gasoline dispenser nozzle.
 - d. Keep the nozzle in contact with the rim of the fuel tank or container opening at all times until fueling is complete. Do not use a nozzle lock-open device.
 - e. Extinguish all cigarettes, cigars, pipes and other sources of ignition.
 - f. Never fuel machine indoors.
 - g. Never remove gas cap or add fuel while the engine is hot or running. Allow engine to cool at least two minutes before refueling.

- h. Never over fill fuel tank. Fill tank to no more than ½" below bottom of filler neck to allow space for fuel expansion.
- i. Replace gasoline cap and tighten securely.
- j. If gasoline is spilled, wipe it off the engine and equipment. Move machine to another area. Wait 5 minutes before starting the engine.
- k. To reduce fire hazards, keep machine free of grass, leaves, or other debris build-up. Clean up oil or fuel spillage and remove any fuel soaked debris.
- l. Never store the machine or fuel container inside where there is an open flame, spark or pilot light as on a water heater, space heater, furnace, clothes dryer or other gas appliances.
- m. Allow a machine to cool at least five minutes before storing.

General Service

1. Never run an engine indoors or in a poorly ventilated area. Engine exhaust contains carbon monoxide, an odorless, and deadly gas.
2. Before cleaning, repairing, or inspecting, make certain the blade(s) and all moving parts have stopped. Disconnect the spark plug wire and ground against the engine to prevent unintended starting.
3. Periodically check to make sure the blades come to complete stop within approximately (5) five seconds after operating the blade disengagement control. If the blades do not stop within the this time frame, your machine should be serviced professionally by an authorized dealer.
4. Regularly check the safety interlock system for proper function, as described later in this manual. If the safety interlock system does not function properly, have your machine serviced professionally by an authorized dealer.
5. Check the blade(s) and engine mounting bolts at frequent intervals for proper tightness. Also, visually inspect blade(s) for damage (e.g., excessive wear, bent, cracked). Replace the blade(s) with the original equipment manufacturer's (O.E.M.) blade(s) only, listed in this manual. "Use of parts which do not meet the original equipment specifications may lead to improper performance and compromise safety!"
6. Mower blades are sharp. Wrap the blade or wear gloves, and use extra caution when servicing them.
7. Keep all nuts, bolts, and screws tight to be sure the equipment is in safe working condition.
8. Never tamper with the safety interlock system or other safety devices. Check their proper operation regularly.
9. After striking a foreign object, stop the engine, disconnect the spark plug wire(s) and ground against the engine. Thoroughly inspect the machine for any damage. Repair the damage before starting and operating.
10. Never attempt to make adjustments or repairs to the machine while the engine is running.

11. Grass catcher components and the discharge cover are subject to wear and damage which could expose moving parts or allow objects to be thrown. For safety protection, frequently check components and replace immediately with original equipment manufacturer's (O.E.M.) parts only, listed in this manual. "Use of parts which do not meet the original equipment specifications may lead to improper performance and compromise safety!"
12. Do not change the engine governor settings or over-speed the engine. The governor controls the maximum safe operating speed of the engine.
13. Maintain or replace safety and instruction labels, as necessary.
14. Observe proper disposal laws and regulations for gas, oil, etc. to protect the environment.
15. According to the Consumer Products Safety Commission (CPSC) and the U.S. Environmental Protection Agency (EPA), this product has an *Average Useful Life* of seven (7) years, or 270 hours of operation. At the end of the *Average Useful Life* have the machine inspected annually by an authorized service dealer to ensure that all mechanical and safety systems are working properly and not worn excessively. Failure to do so can result in accidents, injuries or death.

Do not modify engine

To avoid serious injury or death, do not modify engine in any way. Tampering with the governor setting can lead to a runaway engine and cause it to operate at unsafe speeds. Never tamper with factory setting of engine governor.

Notice Regarding Emissions

Engines which are certified to comply with California and federal EPA emission regulations for SORE (Small Off Road Equipment) are certified to operate on regular unleaded gasoline, and may include the following emission control systems: Engine Modification (EM) and Three Way Catalyst (TWC) if so equipped.

When required, models are equipped with low permeation fuel lines and fuel tanks for evaporative emission control. California models may also include a carbon canister. Please contact Customer Support for information regarding the evaporative emission control configuration for your model.

Spark Arrestor



WARNING! This machine is equipped with an internal combustion engine and should not be used on or near any unimproved forest-covered, brush-covered or grass-covered land unless the engine's exhaust system is equipped with a spark arrestor meeting applicable local or state laws (if any).

If a spark arrestor is used, it should be maintained in effective working order by the operator. In the State of California the above is required by law (Section 4442 of the California Public Resources Code). Other states may have similar laws. Federal laws apply on federal lands.

A spark arrestor for the muffler is available through your nearest engine authorized service dealer or contact the service department, P.O. Box 361131 Cleveland, Ohio 44136-0019.

















WARNING! Your Responsibility — Restrict the use of this power machine to persons who read, understand and follow the warnings and instructions in this manual and on the machine.

SAVE THESE INSTRUCTIONS!

Safety Symbols

This page depicts and describes safety symbols that may appear on this product. Read, understand, and follow all instructions on the machine before attempting to assemble and operate.

Symbol	Description
	READ THE OPERATOR'S MANUAL(S) Read, understand, and follow all instructions in the manual(s) before attempting to assemble and operate
	DANGER — ROTATING BLADES Never carry passengers. Never carry children, even with the blades off.
	DANGER — ROTATING BLADES Mowing in reverse is not recommended.
	WARNING — ROTATING BLADES Do not put hands or feet near rotating parts or under the cutting deck. Contact with the blade(s) can amputate hands and feet.
	DANGER — ROTATING BLADES Look down and behind before and while backing to avoid a back-over accident.
	WARNING — THROWN OBJECTS This machine may pick up and throw and objects which can cause serious personal injury.
	DANGER — SAFETY DEVICES Keep safety devices (guards, shields, switches, etc.) in place and working.
	WARNING — BYSTANDERS Keep bystanders, helpers, children and pets at least 75 feet from the machine while it is in operation.
	WARNING — SLOPE OPERATION Do not operate this machine on a slope greater than 15 degrees. Do not mow across slopes. Mow up and down slopes no greater than 15 degrees. Avoid sudden turns. Use low speed. If machine stops going uphill, stop blades and back down slowly.
	WARNING — HOT SURFACE Engine parts, especially the muffler, become extremely hot during operation. Allow engine and muffler to cool before touching.
	DANGER — ROTATING BLADES To reduce the risk of injury, keep hands and feet away. Do not operate unless discharge cover or grass catcher is in its proper place. If damaged, replace immediately.
	WARNING — FIRE HAZARD Allow machine to cool before fueling or storing.
	WARNING — FIRE HAZARD Do not drive through piles of dry leaves or tall grass.
	WARNING — FIRE HAZARD Do not allow debris to accumulate. The build up of debris can lead to a fire.

Slope Gauge

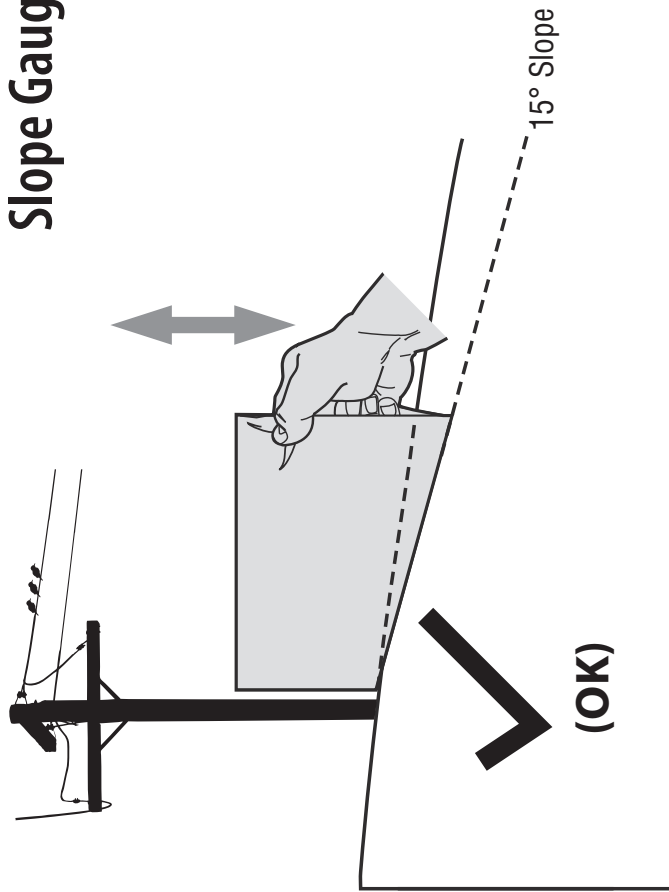


Figure 1

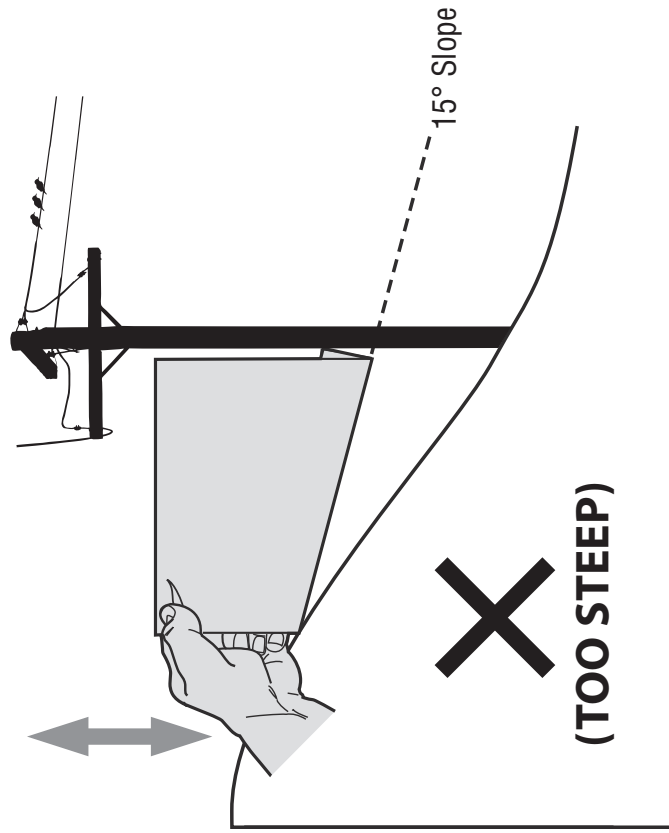


Figure 2

15° dashed line

USE THIS SLOPE GAUGE TO DETERMINE IF A SLOPE IS TOO STEEP FOR SAFE OPERATION!

To check the slope, proceed as follows:

1. Remove this page and fold along the dashed line.
2. Locate a vertical object on or behind the slope (e.g. a pole, building, fence, tree, etc.)
3. Align either side of the slope gauge with the object (See Figure 1 and Figure 2).
4. Adjust gauge up or down until the left corner touches the slope (See Figure 1 and Figure 2).
5. If there is a gap below the gauge, the slope is too steep for safe operation (See Figure 2 above).



WARNING! Slopes are a major factor related to tip-over and roll-over accidents which can result in severe injury or death. Do not operate machine on slopes in excess of 15 degrees. All slopes require extra caution.

Always mow across the face of slopes, never up and down slopes.

Contents of Crate

- One RZT L Tractor
- One Oil Drain Tube
- One Deck Wash Hose Coupler
- One Tractor Operator's Manual
- One Engine Operator's Manual

NOTE: This Operator's Manual covers several models. Tractor features may vary by model. Not all features in this manual are applicable to all tractor models and the tractor depicted may differ from yours.

Tractor Preparation

Manually Moving the Tractor

1. Engage the transmission bypass rods, one on each side of the tractor, to move the tractor manually without starting it. The transmission bypass rods are located on the rear of the tractor, just inside each rear wheel. Engage the bypass rods by pulling each one out (a) and to the right (b) to lock it into place. See Figure 3-1.

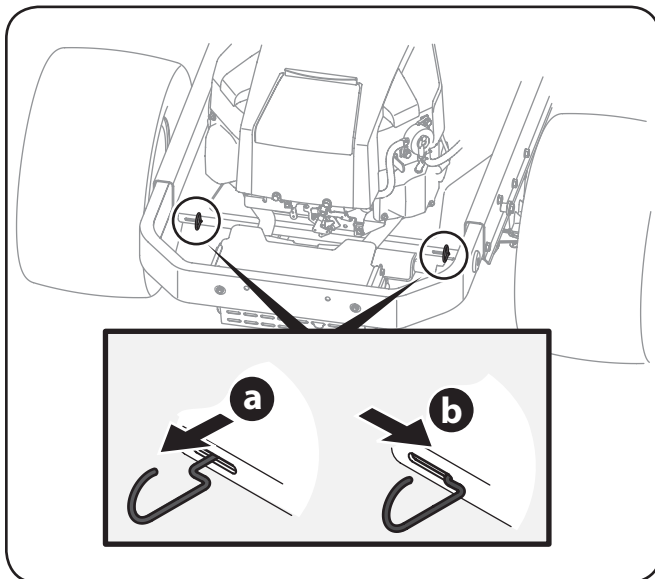


Figure 3-1

2. Disengage the bypass rods by reversing steps a & b after moving the tractor. See Figure 3-1.
3. Remove the deck wash system nozzle adapter from the manual bag and store for future use.

Install Operator's Seat

To install the seat proceed as follows:

NOTE: The seat is shipped with the seat switch and seat pan attached.

1. Cut any straps securing the seat assembly and the drive control levers to the tractor. Remove any packing material.

NOTE: Be careful not to cut the wiring harness connecting the seat and the seat switch.

2. Remove the two shoulder screws and flange lock nuts in the seat pan as shown in Figure 3-2.

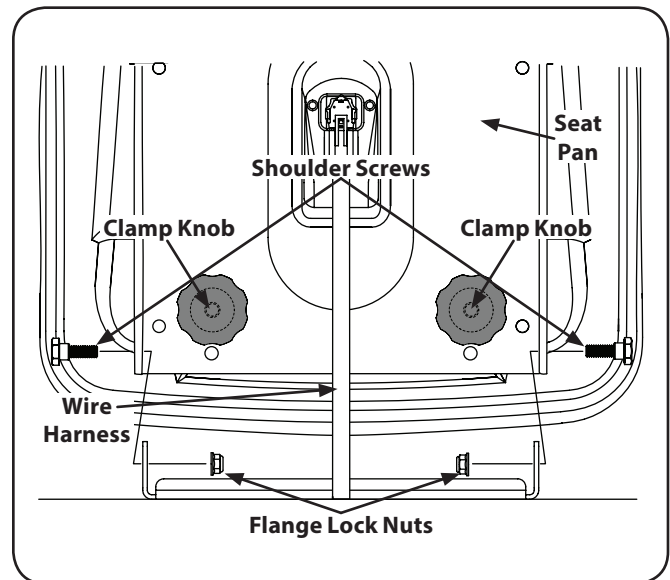


Figure 3-2

3. Rotate the seat into position and secure the seat into place with the previously removed shoulder screws and flange lock nuts. Be careful not to crimp or damage the wire harness while installing the seat. See Figure 3-2.

NOTE: Be sure to push the excess wire from the wire harness into the seat box hole before continuing.

Position Drive Control levers

The drive control levers of the tractor are lowered for shipping purposes. The hex screws and flat washers that normally secure the control levers in their operating position are in a hardware pack inside your manual bag. The control levers must be repositioned to operate the tractor. To reposition the control levers for operation, proceed as follows:

1. Remove the hex screws and flat washers from the hardware pack in your manual bag.
2. Lift and swing that control lever upward until the hole in the lever bracket aligns with one of the holes in the pivot bracket. See Figure 3-3.

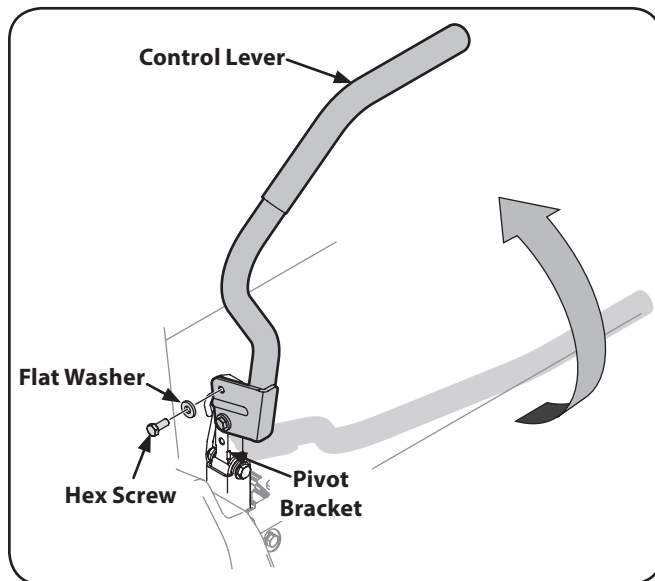


Figure 3-3

3. Slide the flat washer onto the hex screw. From the outside, insert the hex screw with washer through the control lever slot and the hole of the pivot bracket. See Figure 3-3. Using a 1/2" wrench snug the screw, but do not fully tighten.
4. Note the relative position of the control lever to the pivot bracket, then repeat the previous steps to reposition the other control lever in approximately the same position.



CAUTION: Torque the screws down tightly to prevent the control levers from slipping out of position.

5. Refer to "Adjusting the Drive Control Levers" in the Maintenance & Adjustments for instructions on the final adjustment of the levers.

Lower Deck Discharge Chute Deflector



WARNING! Never operate the mower deck without the chute deflector installed and in the down position.

1. The chute is shipped attached and with a stop bracket holding the chute upright. The stop bracket must be removed prior to operating the tractor.
2. Holding the chute deflector fully upward, remove the stop bracket by grasping it and rotating it clockwise. Lower the chute deflector Figure 3-4.

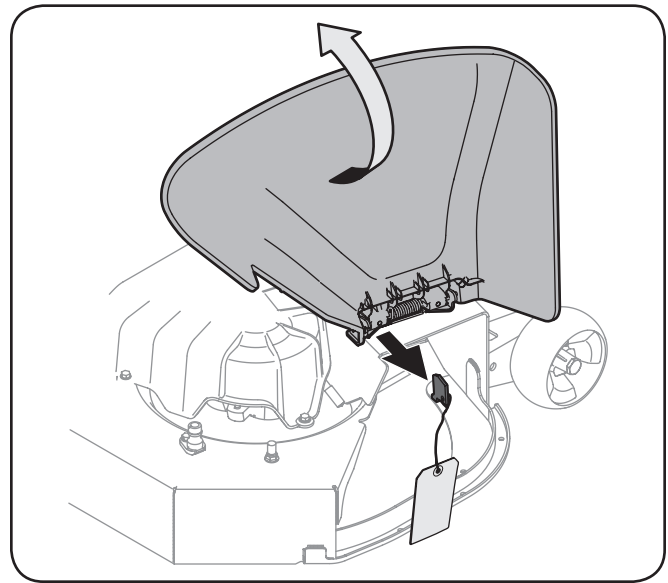


Figure 3-4

Setting the Front Gauge Wheels



WARNING! Keep hands and feet away from the discharge opening of the cutting deck.

NOTE: The deck wheels are an anti-scalp feature of the deck and are not designed to support the weight of the cutting deck.

Move the tractor on a firm and level surface, preferably pavement, and proceed as follows:

1. Check the tire pressure, make sure the pressure is correct and equal on all tires.
2. Make sure the deck is level, both front-to-back and side-to-side. See the Maintenance & Adjustments section for deck leveling information and instructions.
3. Select the height position of the cutting deck by placing the deck lift lever in the normally desired mowing height setting.
4. Check the wheels for contact or excessive clearance with the surface below. The deck wheels should have between 1/4" and 1/2" clearance above the ground. Proceed as follows to adjust the wheels:

- a. Remove the lock nut securing one of the front gauge wheel shoulder screws to the deck. Remove the gauge wheel and shoulder screw. See Figure 3-5.

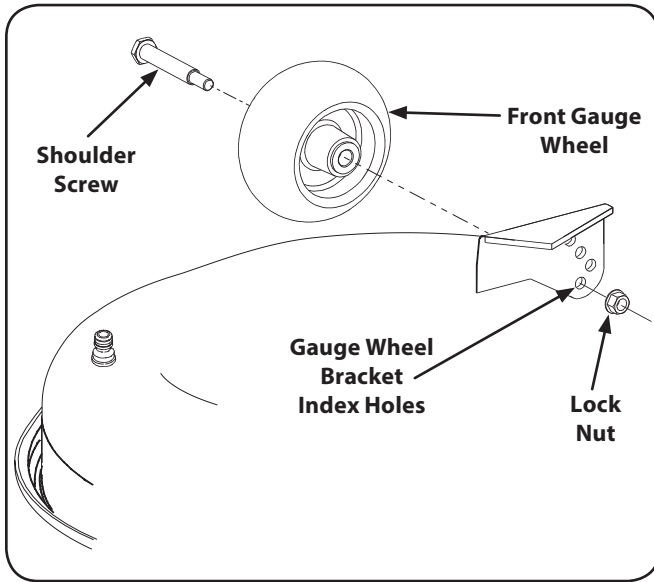


Figure 3-5

- b. Insert the shoulder screw into the one of four index holes in the front gauge wheel bracket that will give the gauge wheel a $\frac{1}{4}$ - $\frac{1}{2}$ " clearance with the ground.
- c. Note the index hole of the just adjusted wheel, and adjust the other front gauge wheel into the respective index hole of the other front gauge wheel bracket.

NOTE: Refer to Adjusting the Deck in the Maintenance & Adjustments section of this manual for more detailed instructions regarding various deck adjustments.

Connecting the Battery Cables



CALIFORNIA PROPOSITION 65 WARNING!

Battery posts, terminals, and related accessories contain lead and lead compounds, chemicals known to the State of California to cause cancer and reproductive harm. Wash hands after handling.



CAUTION: When attaching battery cables, always connect the POSITIVE (Red) wire to its terminal first, followed by the NEGATIVE (Black) wire.

For shipping reasons, both battery cables on your equipment may have been left disconnected from the terminals at the factory. To connect the battery cables, proceed as follows:

NOTE: The positive battery terminal is marked Pos. (+). The negative battery terminal is marked Neg. (-).

NOTE: If the positive battery cable is already attached, skip ahead to step 2.

1. Remove the plastic cover, if present, from the positive battery terminal and attach the red cable to the positive battery terminal (+) with the bolt and hex nut. See Figure 3-6.

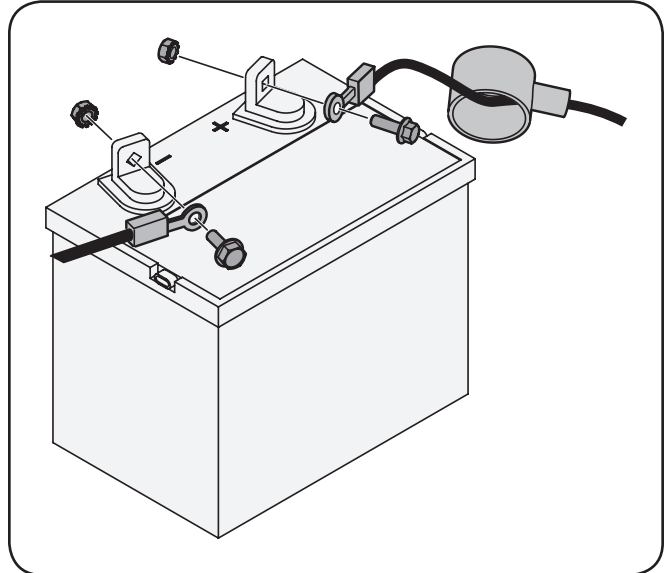


Figure 3-6

2. Remove the plastic cover, if present, from the negative battery terminal and attach the black cable to the negative battery terminal (-) with the bolt and hex nut. See Figure 3-6.
3. Position the red rubber boot over the positive battery terminal to help protect it from corrosion.

NOTE: If the battery is put into service after the date shown on top/side of battery, charge the battery as instructed in the Maintenance section your Operator's Manual prior to operating the tractor.

Adjusting the Seat

To adjust the position of the seat, rotate the seat forward and locate the clamp knobs on the front of the seat pan. Refer to Figure 3-2.

Rotate the clamp knobs to the left and remove them, slide the seat forward or backward and re-insert the clamp knobs into one of the four available positions on the seat pan and into the seat, then tighten both securely. Make sure the seat is locked into position before operating the tractor. See Figure 3-7.

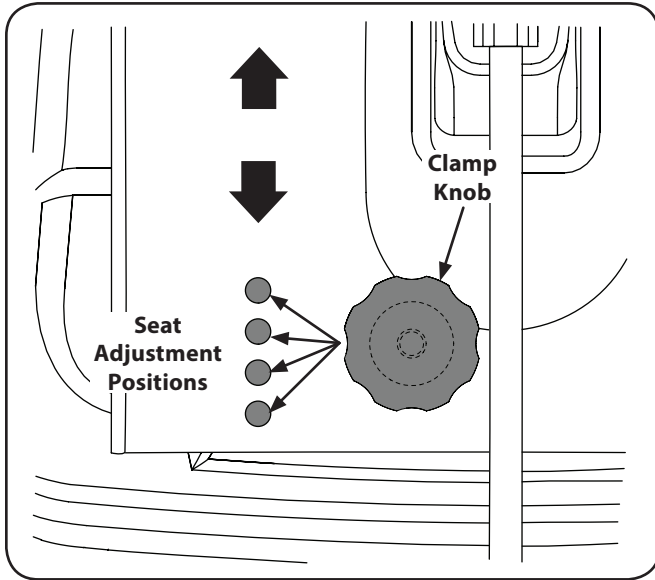
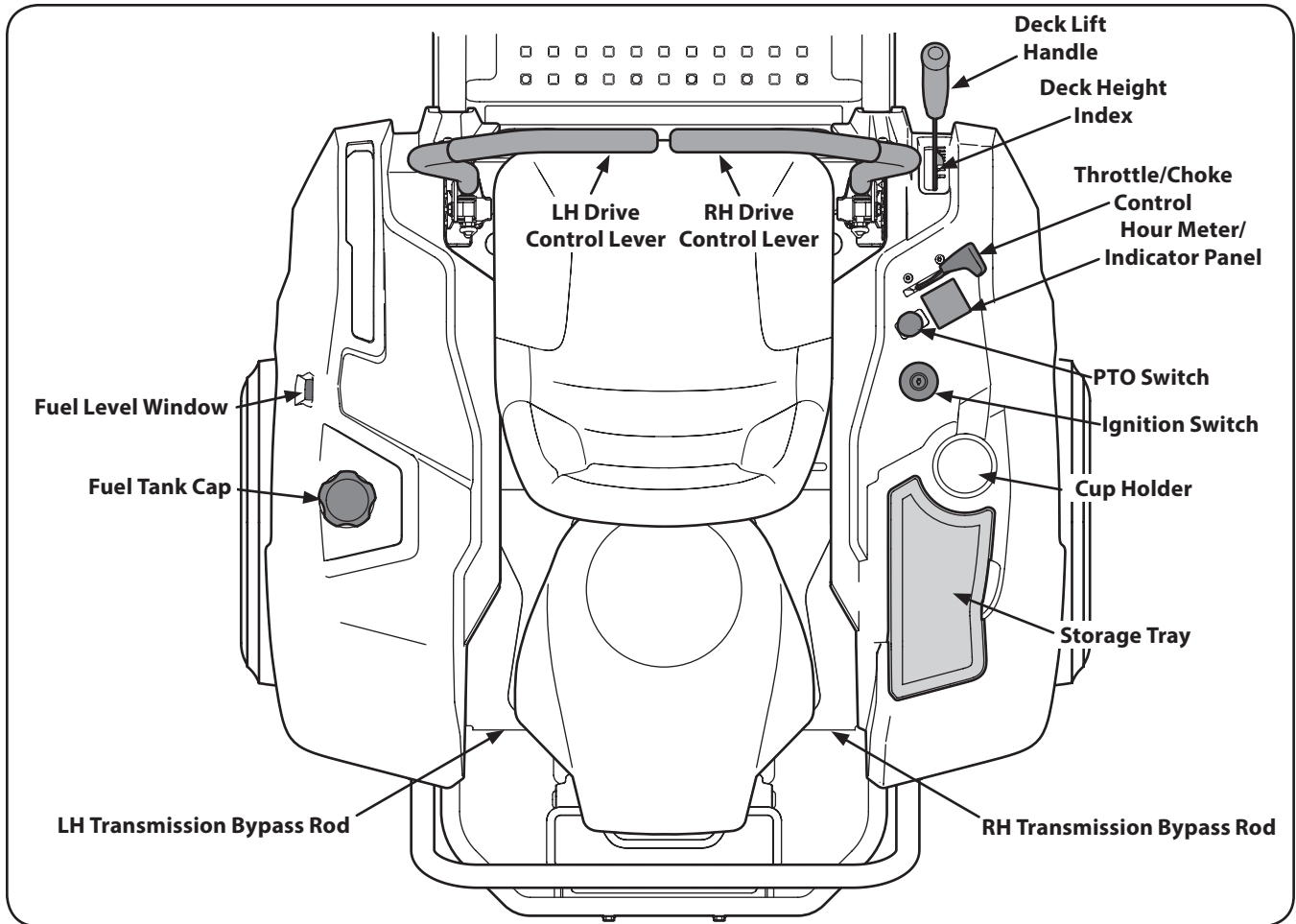


Figure 3-7

Fuel Fill-Up

Using a good grade of unleaded regular gasoline, fill the tank (beside the engine on the left side of the mower). When the fuel tank reaches one inch from the top of the tank, stop, DO NOT OVERFILL. Space must be left for expansion.



NOTE: This Operator's Manual covers several models. Tractor features may vary by model. Not all features in this manual are applicable to all tractor models and the tractor depicted may differ from yours.

NOTE: References to LEFT, RIGHT, FRONT, and REAR indicate that position on the tractor when facing forward while seated in the operator's seat.

RH and LH Drive Control Levers

The RH and LH control levers are located on each side of the operator's seat. These hinged levers pivot outward to open space to permit the operator to either sit in the tractor seat, or to dismount the tractor. The levers must be fully opened out and in the neutral position to start the tractor engine. When the levers are fully outward, the parking brake is also engaged.

Each lever controls the respective RH or LH transmission. Consequently, these levers control all of the movements of the tractor. Driving and steering utilizing these control levers is quite different from conventional tractors, and will take some practice to master. Refer to Operation for instructions on using the control levers.

Deck Height Index

The deck height index consists of eight index notches located on the front/right of the console. Each notch corresponds to a ½" change in the deck height position ranging from 1-½" at the lowest notch to 4" at the highest notch.

Deck Lift Handle


The deck lift handle is located on the front/right of the console, and is used to raise and lower the mower deck.

Pull the handle to the left out of the index notch and push downward to lower the deck, or pull upward to raise the deck. When the desired height is attained, move the lift handle to the right until fully in the index notch.




Ignition Switch

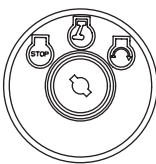
The ignition switch is located on the RH console to the rear of the PTO switch. The ignition switch has three positions as follows:

STOP  — The engine and electrical system is turned off.

RUN  — The tractor electrical system is energized.

START  — The starter motor will turn over the engine. Release the key immediately when the engine starts

NOTE: To prevent accidental starting and/or battery discharge, remove the key from the ignition switch when the tractor is not in use.

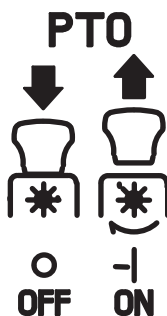


Power Take-Off (PTO) Switch

The PTO switch is located on the RH console to the left of the hour meter/indicator panel.

The PTO switch operates the electric PTO clutch mounted on the bottom of the engine crankshaft. Pull the switch knob upward to engage the PTO clutch, or push the knob downward to disengage the clutch.

The PTO switch must be in the “disengaged” position when starting the engine.



Transmission Bypass Rods

The transmission bypass rods (one for each the RH and LH transmission) are located on the rear of the tractor, just inside each rear wheel.

When engaged, the two rods open a bypass within the hydrostatic transmissions, which allows the tractor to be pushed short distances by hand. Refer to the Assembly & Set-Up section for instructions on using the bypass feature.



CAUTION: Never tow your tractor. Towing the tractor with the rear wheels on the ground may cause severe damage to the transmissions.

Cup Holder

The cup holder is located toward the middle of the RH console.

Storage Tray

The storage tray is located at the rear of the RH console.

Seat Clamp Knob (Not Seen)

The seat clamp knob is located below the front/left of the seat. The knob allows for adjustment forward or backward of the operator’s seat. Refer to the Assembly & Set-Up section for instructions on adjusting the seat position.

Fuel Tank Cap

The fuel tank cap is located near the middle of the LH console. Turn the fill cap approximately ¼ turn and pull upward to remove. The fuel cap is tethered to the tractor to prevent its loss. Do not attempt to remove the cap from the tractor. Fill tank to the bottom of the filler neck, allowing some space in the tank for fuel expansion. Do not overfill the tank.

Push the cap downward on the fuel tank fill neck and turn approximately ¼ turn clockwise to tighten. Always re-install the fuel cap tightly onto the fuel tank after removing.



WARNING! Never fill the fuel tank when the engine is running. If the engine is hot from recently running, allow to cool for several minutes before refueling. Highly flammable gasoline could splash onto the engine and cause a fire.

Fuel Level Window

The Fuel Level Window is located on the outer left side of the LH console and shows the level of fuel in the gas tank.



Throttle/Choke Control


The throttle/choke control is located on the RH console to the left of the hour meter/indicator panel. When set in a given position, a uniform engine speed will be maintained.

- Push the throttle/choke control handle forward to increase the engine speed. The tractor is designed to operate with the throttle/choke control in the fast position (full throttle) when the tractor is being driven and the mower deck is engaged.
- Pull the throttle/choke control handle rearward to decrease the engine speed.
- When starting the engine, push the control handle fully forward into the “CHOKE” position.
- After starting and warming the engine, move the control handle rearward until you feel it move past the choke detent.



LCD Service Minder & Hour Meter

When the ignition key is rotated out of the STOP  position but not into the START , the LCD Service Minder and Hour Meter will briefly display the battery voltage, followed by the tractor's accumulated hours.

NOTE: Hours of tractor operation are recorded any time the ignition key is rotated out of the STOP  position, regardless of whether the engine is started.

The LCD Service Minder will remind the operator of maintenance intervals for changing the engine oil, air filter service, low engine and low battery warnings.

Change Oil

The LCD will display the letters "CHG", followed by the letters "OIL", followed by the letters "SOON", then finally followed by the meter's accumulated time. "CHG/OIL/SOON/TIME" will alternate on the display for 7 minutes after the meter reaches 50 hours. This oil service minder interval will occur every 50 hours. Before the interval expires, change the engine oil as instructed in the Maintenance section of this Operator's Manual.

Low Oil

The letters "LO" followed by the letters "OIL", then followed by the meter's accumulated time will indicate the tractor is low on oil. Stop the tractor immediately and check the engine oil level as instructed in this Owner's Manual.

NOTE: The "LOW OIL" function only works if the engine is equipped with an oil pressure switch.

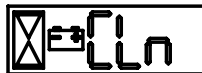
Low Battery

At startup, the battery voltage is briefly displayed then changes to accumulated hours. The letters "LO" will display followed by the letters "BATT" and then followed by the meter's accumulated time. "LO/BATT/TIME" is displayed on the LCD when the voltage drops below 11.5 volts. When this occurs, the battery is in need of a charge or the engine's charging system is not generating sufficient amperage. Charge the battery as instructed in the Service section of this manual or have the charging system checked by your local service dealer.



Air Filter Service

The letters "CLN" will display, followed by the letters "AIR", followed by "FILT", then followed by the meter's accumulated time. "CLN/AIR/FILT/TIME" will alternate on the display for 7 minutes after the meter reaches 25 hours. This air filter service minder time interval will be every 25 hours. On intervals that are common with oil service, the oil message will be displayed first followed by the air filter message.



General Safety

- **RECEIVE INSTRUCTION** — Entirely read this operator's manual. Learn to operate this machine SAFELY. Do not risk INJURY or DEATH. Allow only those who have become competent in its usage to operate this tractor.
- Before starting the engine or beginning operation, be familiar with the controls. The operator should be in the operator's seat. The PTO switch must be in the disengaged position and the RH and LH drive control levers moved fully outward in the neutral position.
- Keep all shields in place. Keep away from moving parts.
- **NO RIDERS!** Keep all people and pets a safe distance away. Look behind and down to both sides of the tractor before and while backing up.
- **DO NOT** direct the mower discharge at people.
- Avoid slopes where possible. Never operate on slopes greater than 15°. Slopes with a greater incline present dangerous operating conditions. Tractors can be rolled over.
- Before leaving the operator's seat: Shut off the PTO, move the RH and LH drive control levers fully outward in the neutral position, shut off the engine and remove the ignition key. Wait for all movement to stop before servicing or cleaning.
- Operate the drive control levers smoothly and avoid any sudden movements of the levers when starting and stopping. Keep a firm grip on the control levers.
- Be careful when operating near roadways. Stop the tractor motion and wait for vehicles to pass before operating along the road.
- Do not operate the tractor with the mower deck removed. Removal of the deck will change the balance of the tractor, and could contribute to a tractor rollover.
- Avoid operation on traction surfaces that are unstable; use extreme caution if the surface is slippery.
- Slow down before turning and come to a complete stop before any zero turn maneuver.
- Do not stop the tractor or park the tractor over combustible materials such as dry grass, leaves, debris, etc.
- Do not fill the fuel tank when the engine is running or while the engine is hot. Allow the engine several minutes to cool before refueling. Tighten the fuel cap securely.

Before Operating Your Tractor

- Before you operate the tractor, study this manual carefully to familiarize yourself with the operation of all the instruments and controls. It has been prepared to help you operate and maintain your tractor efficiently.
- This engine is certified to operate only on clean, fresh, unleaded regular gasoline. For best results, fill the fuel tank with only clean, fresh, unleaded gasoline with a pump sticker octane rating of 87 or higher.

- Unleaded gasoline is recommended because it leaves less combustion chamber deposits and reduces harmful exhaust emissions. Leaded gasoline is not recommended and must not be used where exhaust emissions are regulated.

NOTE: Purchase gasoline in small quantities. Do not use gasoline left over from the previous season, to minimize gum deposits in the fuel system.

- Gasohol (up to 10% ethyl alcohol, 90% unleaded gasoline by volume) is an approved fuel. Other gasoline/alcohol blends are not approved.
- Methyl Tertiary Butyl Ether (MTBE) and unleaded gasoline blends (up to a maximum of 15% MTBE by volume) are approved fuels. Other gasoline/ether blends are not approved.
- Check the engine oil level.
- Clean the air cleaner element if necessary.
- Check the tire inflation pressures.
- Adjust the seat for operator's maximum comfort, visibility and for maintaining complete control of the tractor.

Safety Interlock System

This tractor is equipped with a safety interlock system for the protection of the operator. If the interlock system should ever malfunction, do not operate the tractor. Contact your authorized Cub Cadet Dealer.

- The safety interlock system prevents the engine from cranking or starting unless the RH and LH drive control levers are moved fully outward in the neutral position and the PTO is disengaged.
 - The safety interlock system will shut off the engine if the operator leaves the seat with the PTO engaged.
- NOTE:** The PTO switch must be moved to the "STOP" position to restart the engine.
- The safety interlock system will shut off the PTO and the mower blades will stop if both drive control levers are moved into the reverse position. To re-engage the PTO, the levers must be in the neutral or forward drive position and the PTO switch must be placed in the OFF (disengaged) position and then returned to the ON (engaged) position.

Starting the Engine



WARNING! This tractor is equipped with a safety interlock system designed for the protection of the operator. Do not operate the tractor if any part of the interlock system is malfunctioning. Periodically check the functions of the interlock system for proper operation.



WARNING! For personal safety, the operator must be sitting in the tractor seat when starting the engine.

1. Operator must be sitting in the tractor seat with the control levers fully outward in neutral (parking brake on).
2. Make certain the PTO switch is in the disengaged (down) position. Refer to Figure 5-1.

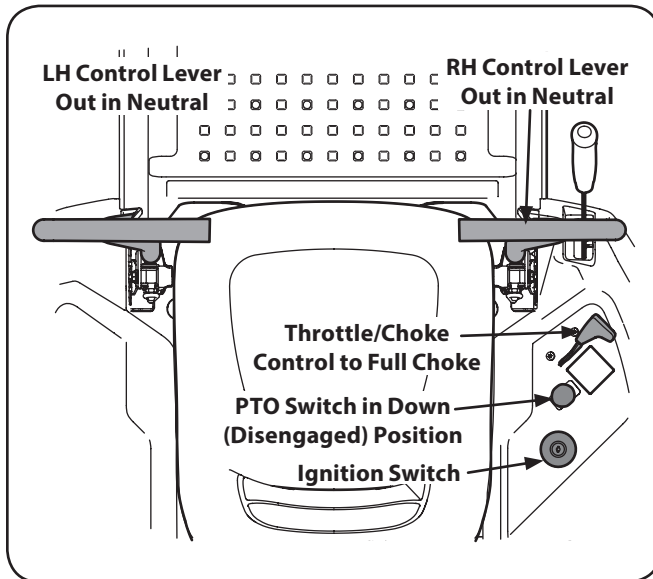




Figure 5-1

3. Move the throttle/choke control into the full choke position. Refer to Figure 5-1.

NOTE: If the engine is warmed up, it may not be necessary to place the throttle/choke control in the choke position.

4. Insert the key into the ignition switch and turn the key clockwise to the start  position and release it as soon as the engine starts; however, do not crank the engine continuously for more than 5 seconds at a time. If the engine does not start within this time, turn the key to the stop  position and wait at least 15 seconds to allow the engine's starter motor to cool. Try again after waiting. If after a few attempts the engine fails to start, do not keep trying to start it with the choke closed as this will cause flooding and make starting more difficult.
5. As the engine warms up, gradually pull the throttle/choke control lever rearward past the choke detent position or slowly disengage the choke on models with a separate choke. Do not use the choke position to enrich the fuel mixture, except as necessary to start the engine.
6. Allow the engine to run for a few minutes at mid-throttle before putting the engine under load.

7. Observe the hour meter/indicator panel. If the battery indicator light or oil pressure light come on, immediately stop the engine. Have the tractor inspected by your Cub Cadet dealer.

Cold Weather Starting

When starting the engine at temperatures near or below freezing, ensure the correct viscosity motor oil is used in the engine and the battery is fully charged. Start the engine as follows:

1. Be sure the battery is in good condition. A warm battery has much more starting capacity than a cold battery.
2. Use fresh winter grade fuel. Winter grade gasoline has higher volatility to improve starting. Do not use gasoline left over from summer.
3. Follow the previous instruction for Starting the Engine.

Using Jumper Cables To Start Engine






WARNING! Batteries contain sulfuric acid and produce explosive gasses. Make certain the area is well ventilated, wear gloves and eye protection, and avoid sparks or flames near the battery.

If the battery charge is not sufficient to crank the engine, recharge the battery. If a battery charger is unavailable and the tractor must be started, the aid of a booster battery will be necessary. Connect the booster battery as follows:

1. Connect the end of one cable to the disabled tractor battery's positive terminal; then connect the other end of that cable to the booster battery's positive terminal.
2. Connect one end of the other cable to the booster battery's negative terminal; then connect the other end of that cable to the frame of the disabled tractor, as far from the battery as possible.
3. Start the disabled tractor following the normal starting instructions previously provided; then disconnect the jumper cables in the exact reverse order of their connection.
4. Have the tractor's electrical system checked and repaired as soon as possible to eliminate the need for jump starting.

Stopping the Engine

1. Disengage the PTO.
2. Move the RH and LH drive control levers fully outward in the neutral position.
3. Move the throttle control to midway between the slow  and fast  positions.
4. Turn the ignition key to the stop  position and remove the key from the ignition switch.

NOTE: Always remove the key from the ignition switch to prevent accidental starting or battery discharge if the equipment is left unattended.

Practice Operation (Initial Use)

Operating a zero-turn tractor is not like operating a conventional type riding tractor. Although and because a zero turn tractor is more maneuverable, getting used to operating the control levers takes some practice.

It is strongly recommended that you locate a reasonably large, level and open "practice area" where there are no obstructions, pedestrians, or animals. You should practice operating the tractor for a minimum of 30 minutes.

Carefully move (or have moved) the tractor to the practice area. When performing the practice session, the PTO should not be engaged. While practicing, operate the tractor at approximately $\frac{1}{2}$ - $\frac{3}{4}$ throttle and at less than full speed in both forward and reverse.

Carefully practice maneuvering the tractor using the instructions in the following section "Driving the Tractor." Practice until you are confident that you can safely operate the tractor.

Driving the Tractor



WARNING! Avoid sudden starts, excessive speed and sudden stops.

1. Adjust the operator's seat to the most comfortable position that allows you to operate the controls. See seat adjustment in the Assembly & Set-Up section.
2. Move the RH and LH drive control levers inward in the neutral position which also disengages the parking brake. Refer to Figure 5-2.

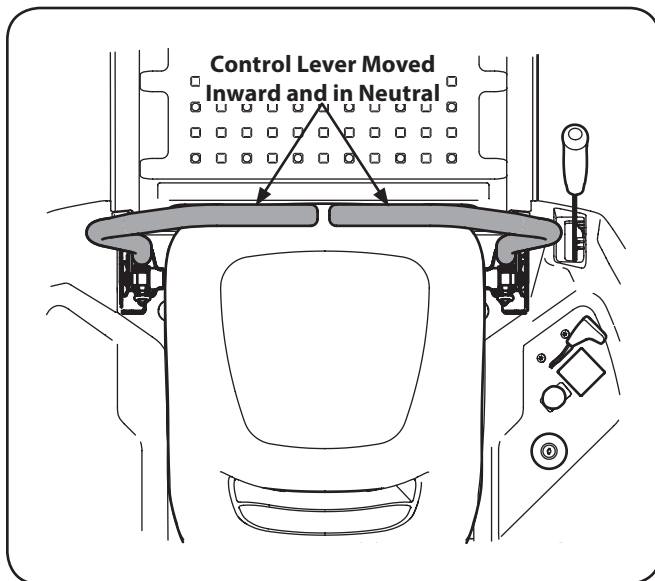


Figure 5-2

NOTE: Lap bars must be moved fully inward before pushing forward or backward to ensure brakes are fully disengaged. Parking the tractor on uneven terrain or a hill may cause the brakes to bind and not release fully. In this case the tractor will not drive when the lap bars are moved. If this happens, move the lap bar in the opposite direction slightly to take the load off the brakes and allow them to release fully.

NOTE: If the control levers are not even in the neutral position, refer to Maintenance & Adjustments for instructions to adjust the levers so that they are even.

SECTION 5—OPERATION

3. Move the throttle control lever forward to the full throttle position.

NOTE: Although the tractor's engine is designed to run at full throttle, when performing a practice session the tractor must be operated at less than full throttle. This only applies to practice.



WARNING! Always maintain a firm grip on the control levers. DO NOT release the control levers to slow or stop the tractor; move levers to neutral position using your hands.

4. To drive the tractor, firmly grasp the respective drive control levers with your right and left hands and continue with Driving the Tractor Forward on the following page.

Driving the Tractor Forward



WARNING! Keep all movement of the drive control levers slow and smooth. Abrupt movement of the control levers can affect the stability of the tractor and could cause the tractor to flip over, which may result in serious injury or death to the operator.

1. Slowly and evenly move both drive control levers forward. The tractor will start to move forward. See Figure 5-3.

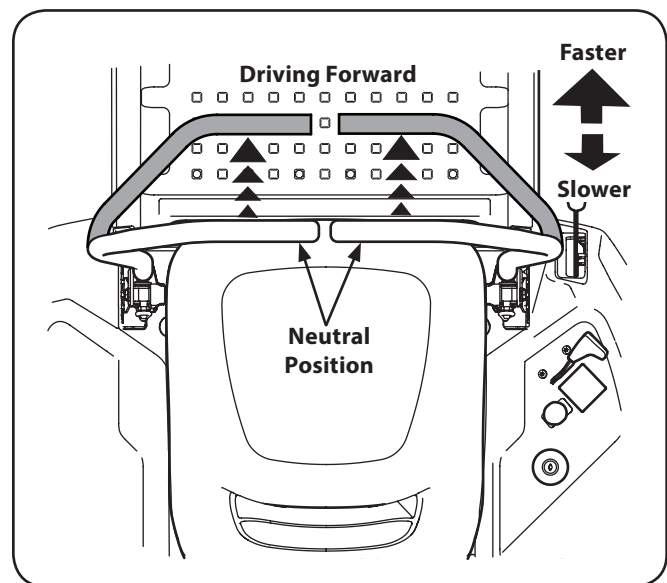


Figure 5-3

2. As the control levers are pushed farther forward the speed of the tractor will increase.
3. To slow the tractor move the controls lever rearward to attain the desired speed, or move the levers to the neutral position to stop the tractor.



WARNING! Always maintain your grasp on the drive control levers. Do not release the levers to slow the tractor or to return to neutral.

Turning the Tractor While Driving Forward



WARNING! When reversing the direction of travel, we recommend performing gradual 'U' turns where possible. Sharper turns increase the possibility of turf defacement, and could affect control of the tractor. ALWAYS slow the tractor before making sharp turns.

To turn the tractor while driving forward, move the control levers as necessary so that one lever is rearward of the other. The tractor will turn in the direction of the rearward control lever.

1. To turn to the left, move the left drive control lever rearward of the right lever. See Figure 5-4.

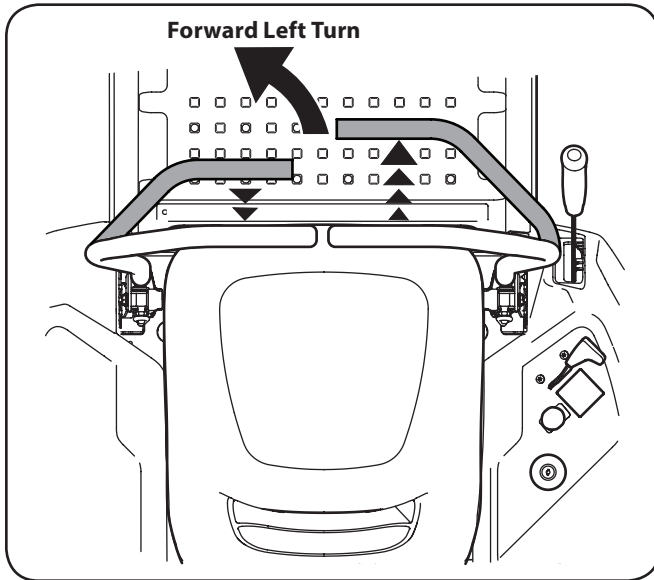


Figure 5-4

2. To turn to the right, move the right drive control lever rearward of the left lever. See Figure 5-5.

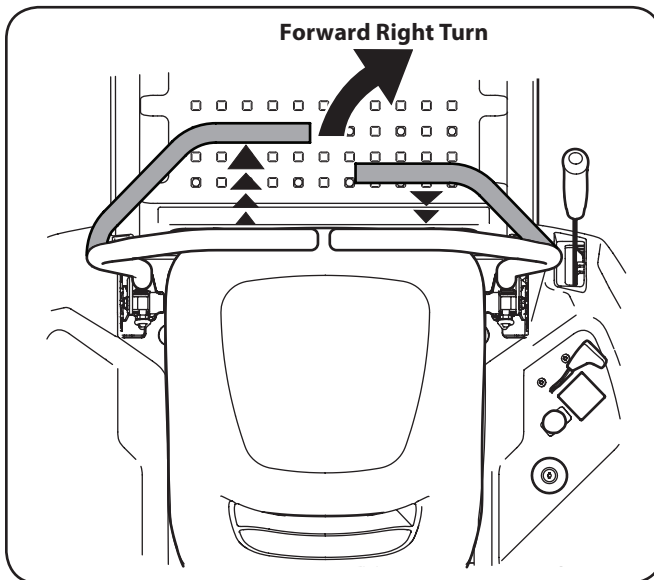


Figure 5-5

3. The greater the distance between the two levers, the sharper the tractor will turn.

4. To execute a "pivot turn," move the turn side drive control lever to the neutral position, while moving the other control lever forward.

NOTE: Making a "pivot turn" on grass will greatly increase the potential for defacement of the turf.

Driving the Tractor In Reverse



WARNING! Always look behind and down on both sides of the tractor before backing up. Always look behind while traveling in the reverse direction.

1. Slowly and evenly move both drive control levers rearward. The tractor will start to move in the reverse direction. See Figure 5-6.

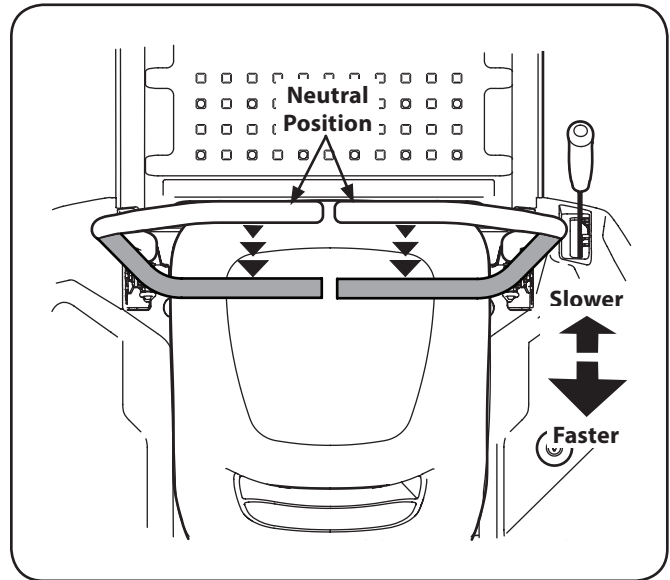


Figure 5-6

2. As the control levers are pushed farther rearward the speed of the tractor will increase.
3. To slow the tractor move the controls lever forward to attain the desired speed, or move the levers to the neutral position to stop the tractor.

Turning While Driving Rearward

To turn the tractor while driving rearward, move the control levers as necessary so that one lever is forward of the other. The tractor will turn in the direction of the forward control lever.

1. To turn to the left while traveling in reverse, move the left drive control lever forward of the right lever. See Figure 5-7.

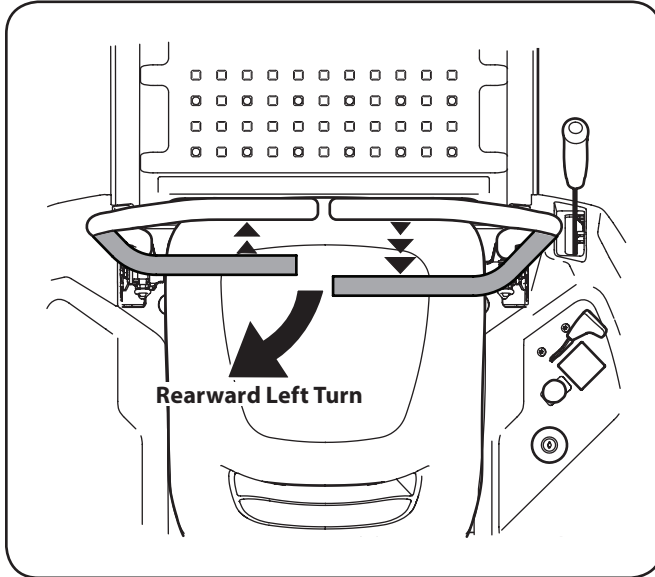


Figure 5-7

2. To turn to the right while traveling in reverse, move the right drive control lever forward of the left lever. See Figure 5-8.

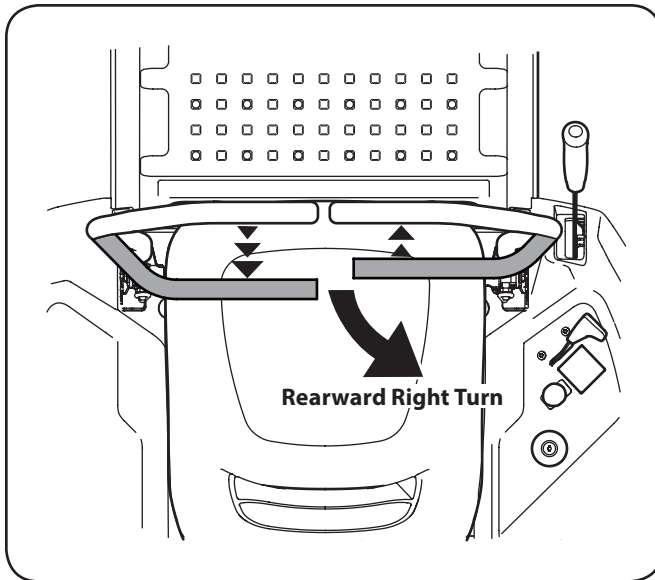


Figure 5-8

3. The greater the distance between the two levers, the sharper the tractor will turn.
4. To execute a "pivot turn," move the turn side drive control lever to the neutral position, while moving the other control lever rearward.

NOTE: Making a "pivot turn" on grass will greatly increase the potential for defacement of the turf.

Executing a Zero Turn



WARNING! When executing a zero turn, the tractor **MUST BE STOPPED**. Executing a zero turn while the tractor is moving can significantly reduce your control of the tractor and will cause severe turf defacement.

1. Stop the forward or reverse motion of the tractor by moving the two drive control levers to neutral.
2. To turn clockwise, move the left control lever forward while simultaneously moving the right control lever rearward. See Figure 5-9.

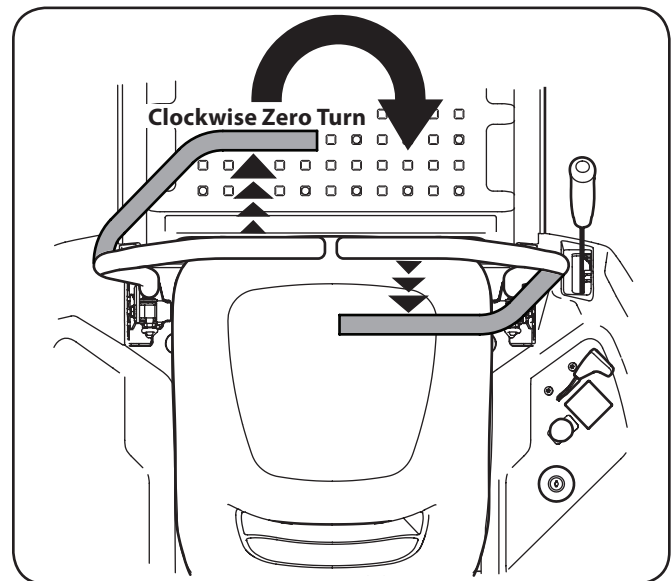


Figure 5-9

3. To turn counterclockwise, move the right control lever forward while simultaneously moving the left control lever rearward. See Figure 5-10.

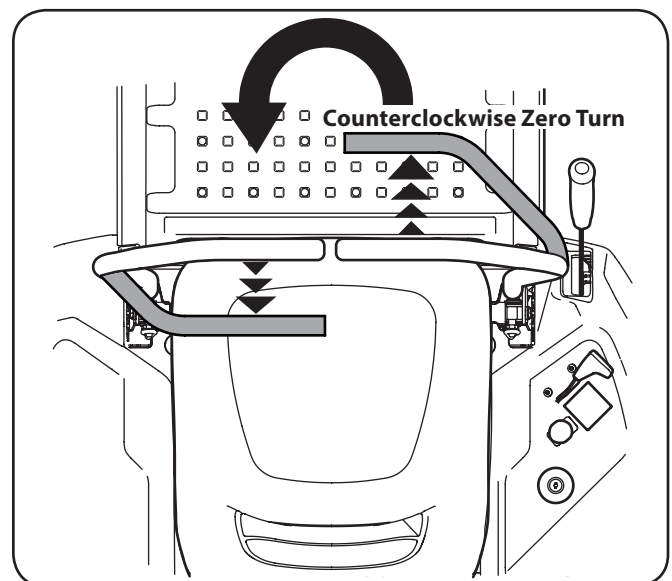




Figure 5-10

Stopping the Tractor

1. Move both drive control levers to the neutral position to stop the motion of the tractor.
2. Push the PTO switch downward to the disengaged position.
3. Use the deck lift handle to raise the deck to its highest position.
4. If dismantling the tractor, move the drive control handles fully outward in the neutral position which also engages the parking brake, move the throttle control lever to the fast  position, turn the ignition switch to stop  and remove the key from the switch.



WARNING! Do not leave the seat of the tractor without disengaging the PTO and moving drive control levers fully outward in the neutral/parking brake engaged position. If leaving the tractor unattended, turn the ignition key off and remove key.

Driving On Slopes

Refer to the slope gauge in the Safe Operation Section to help determine slopes where you may not operate safely.



WARNING! Do not operate on inclines with a slope in excess of 15 degrees (a rise of approximately 2-½ feet every 10 feet). The tractor could overturn and cause serious injury.

1. Always drive across slopes, never up and down. Control the speed and direction of the tractor using primarily the control lever on the downhill side of the tractor, with the uphill control lever remaining essentially in a fixed position.
2. Avoid turning downhill if possible. Start at the bottom of a slope and work upward. Always slow down before turning.
3. Use extra care and go slowly when turning downhill.

Operating The PTO

Operate the PTO clutch as follows:


1. Move the throttle control lever to approximately the mid throttle position.
2. Pull the PTO switch upward to the “ENGAGED” position.
3. Advance the throttle lever to the operating speed (full engine speed).
4. The operator must remain in the tractor seat at all times. If the operator should leave the seat without turning off the power take-off switch, the tractor’s engine will shut off.
5. The PTO clutch cannot be operated when the tractor is driving in the reverse direction. The PTO will disengage when both drive control levers are moved to the reverse position. To re-engage the PTO, the levers must be in the neutral or forward drive position and the PTO switch must be placed in the OFF (disengaged) position and then returned to the ON (engaged) position.

Using the Mower Deck



WARNING! Make certain the area to be mowed is free of debris, sticks, stones, wire or other objects that can be thrown by the rotating blades.

NOTE: Do not engage the mower deck when lowered in grass. Premature wear and possible failure of the ‘V’ belt and PTO clutch will result. Fully raise the deck or move to a non grassy area before engaging the mower deck.

1. Mow across slopes, not up and down. If mowing a slope, start at bottom and work upward to ensure turns are made uphill.
2. On the first pass pick a point on the opposite side of the area to be mowed.
3. Engage the PTO clutch using the PTO switch and move the throttle/choke control to the fast  position.
4. Lower the mower deck to the desired height setting using the lift handle.
5. Slowly and evenly push the RH and LH drive control levers forward to move the tractor forward, and keep the tractor headed directly toward the alignment point.

NOTE: The speed of the tractor will affect the quality of the mower cut. Mowing at full speed will adversely affect the cut quality. Control the ground speed with the control levers.

6. When approaching the other end of the strip, slow down or stop before turning. A U-turn is recommended unless a pivot or zero turn is required.
7. Align the mower with an edge of the mowed strip and overlap approximately 3”.
8. Direct the tractor on each subsequent strip to align with a previously cut strip.
9. To prevent rutting or grooving of the turf, if possible, change the direction that the strips are mowed by approximately 45° for the next and each subsequent mowing.



WARNING! Be careful when crossing gravel paths or driveways. Disengage the PTO and raise the deck to the highest position before crossing.

NOTE: When stopping the tractor for any reason while on a grass surface, always:

- Place the control levers in the neutral/parking brake engaged position,
- Shut engine off and remove the key.
- Doing so will minimize the possibility of having your lawn “browned” by hot exhaust from your tractor’s running engine.

Checking the Safety Interlock Circuits

Periodically check the safety interlock circuits to ensure they are working properly. If a safety circuit is not working as designed, contact your Cub Cadet dealer to have the tractor inspected. DO NOT operate the tractor if any safety circuit is not functioning properly. To check the safety circuits, proceed as follows:

1. Pull the PTO switch upward to the engaged position. Momentarily turn the ignition switch to the start position; the engine should not crank.
2. Move both control levers fully inward in the neutral position; then lift upward from the operator's seat. The engine should stop.
3. With both control levers fully outward in the neutral/parking brake engaged position, engage the PTO. Lift upward from the operator's seat; the engine should stop.
4. Start the tractor and move the control levers inward to the neutral operating position. Engage the PTO and move both control levers slowly into the slow reverse position; the PTO should disengage and the mower deck should stop.

Maintenance Schedule

	Before Each use	After First 5 Hours	Every 10 Hours	Every 25 Hours	Every 50 Hours	Every 100 Hours	Prior to Storing	See Engine Manual
Check & Clean Engine Cooling Fans for Debris	✓						✓	
Check Engine Oil Level	✓							
Check Air Filter for Dirty, Loose or Damaged Parts	✓							
Clean Battery Terminals			✓				✓	
Grease All Lubrication Points			✓				✓	
Check Intake Screen/Clean as Needed			✓				✓	
Check Blades/Sharpen or Replace as Needed			✓				✓	
Check Tire Pressure			✓				✓	
Check/Clean Underside of Deck			✓					
Inspect & Lube Deck Wheels				✓			✓	
Check Deck Level/Pitch				✓			✓	
Check Belts & Pulleys for Damage/Wear					✓			
Check That All Hardware is in Place & Secure						✓		
Check Spark Plug Condition & Gap						✓	✓	✓
Engine Break-In Oil Change		✓						✓
Change Engine Oil					✓		✓	✓
Replace Oil Filter					✓		✓	✓
Clean or Change Air Filter					✓			✓
Replace Fuel Filter					✓			✓
Have Valve Lash Checked & Adjusted *								✓

* -- Have this item performed by an authorized service dealer

NOTE: This Operator's Manual covers several models. Tractor features may vary by model. Not all features in this manual are applicable to all tractor models and the tractor depicted may differ from yours.

Maintenance



WARNING! Before performing any maintenance or repairs, disengage the PTO, move the drive control levers fully outward in the neutral position, engage the parking brake, stop the engine and remove the key to prevent unintended starting.

Engine

Refer to the Engine Manual for all engine maintenance intervals, procedures, specifications and instructions.

Changing the Engine Oil



WARNING! If the engine has been recently run, the engine, muffler and surrounding metal surfaces will be hot and can cause burns to the skin. Exercise caution to avoid burns.

To complete an oil change, proceed as follows:

1. Run the engine for a short time to warm the engine oil. The oil will flow more freely and carry away more impurities. Use care to avoid burns from hot oil.
2. Locate the oil drain hose/valve on the right side of the engine.
3. If your engine has the oil drain valve setup shown in Figure 6-1, see the Oil Drain Valve section below.

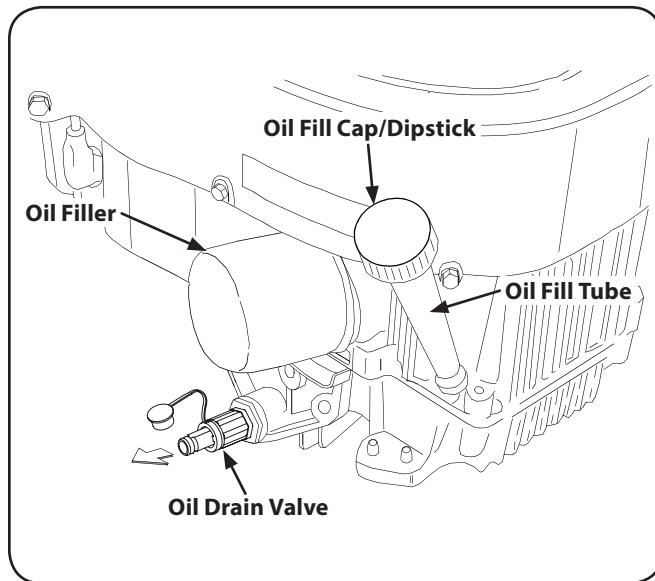


Figure 6-1

4. If your engine has the oil drain hose setup in Figure 6-2, see the Oil Drain Hose section below.

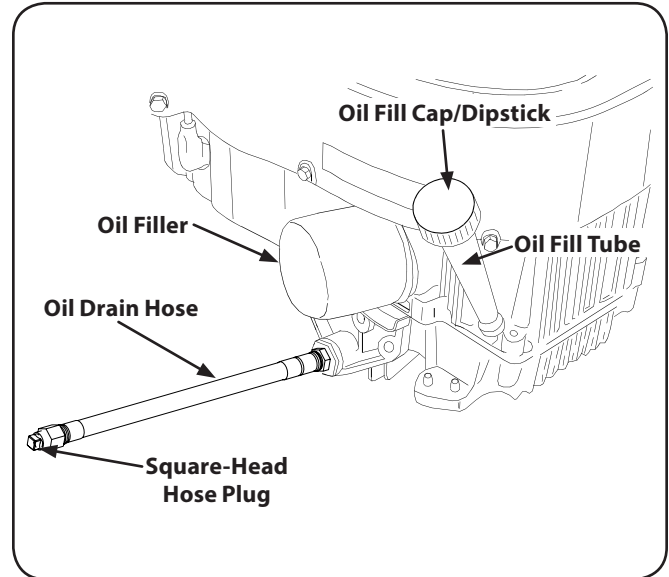


Figure 6-2

Oil Drain Valve (If equipped)

1. Pop open the protective cap on the end of the oil drain valve to expose the drain port. Refer to Figure 6-1. Remove the oil fill cap/dipstick from the oil fill tube.
2. Push the oil drain hose (packed with this manual) onto the oil drain port. Route the opposite end of the hose into an appropriate oil collection container with at least a 2.5 quart capacity to collect the used oil.
3. Turn the oil drain valve ¼-turn, then pull outward to begin draining oil. After the oil has finished draining, push the end of the oil drain valve back in and turn ¼-turn to secure it back in place. Re-cap the end of the oil drain valve to keep debris from entering the drain port.
4. Replace the oil filter, and refill the engine with new oil as instructed in the engine operator's manual.

Oil Drain Hose (If equipped)

1. Remove the hose from the retaining loop-clip. Route the free end of the oil drain hose toward an appropriate oil collection container with at least a 2.5 quart capacity, to collect the used oil. Remove the oil fill cap/dipstick from the oil fill tube.
2. While holding the free end of the oil drain hose over the oil collection container, unscrew the square head hose plug from the end of the hose. See Figure 6-2. Drain the engine oil into the collection container.
3. After draining the oil, wipe any residual oil from the oil drain hose. Thread the square head plug into the drain hose fitting and fully tighten the plug.
4. Replace the oil filter, and refill the engine with new oil as instructed in the engine operator's manual.
5. Re-insert hose through the retaining loop-clip.

Lubrication

- Using a pressure lubricating gun, lubricate the front castor wheel axles and the front pivot axle with grease after every 10 hours of service.
- Periodically lubricate all other pivot points with a quality lubricating oil.

Cleaning the Spindle Pulleys

Once a month remove the belt covers to remove any accumulation of grass clippings from around the spindle pulleys and V-belt. Clean more often when mowing tall, dry grass.

Using the Deck Wash System



WARNING! When using the deck wash system, never engage the deck from any position other than the operator's seat of the tractor. Do not use an assistant or engage deck in the presence of any bystanders.

6. Attach the nozzle adapter to a standard garden hose connected to a water supply.
7. Move the tractor to an area within reach of the hose where the dispersal of wet grass clippings is acceptable to you. Disengage the PTO, engage the parking brake and stop the engine.
8. Pull back the lock collar of the nozzle adapter and push the adapter onto one of the deck wash nozzles at either end of the mower deck. Release the lock collar to lock the adapter on the nozzle. See Figure 6-3.

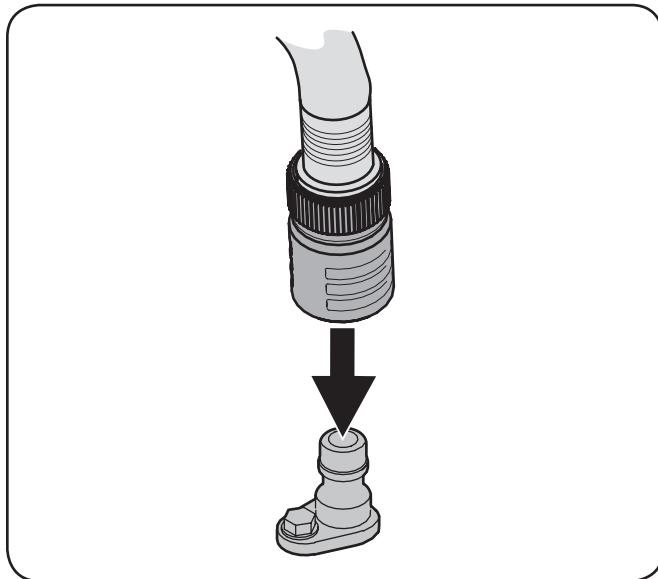


Figure 6-3

9. Turn on the water supply.
10. From the tractor operator's seat, start the engine and engage the PTO. Allow to run as needed. Disengage the PTO and stop the engine.
11. Turn off the water supply.
12. Pull back the lock collar of the nozzle adapter to disconnect the adapter from the nozzle.
13. Repeat the previous steps to clean the deck using the nozzle at the other end of the deck.

Tires

Check the tire air pressure after every 50 hours of operation or weekly. Keep the tires inflated to the recommended pressures. Improper inflation will shorten the tire service life. See the tire sidewall for proper inflation pressures. Observe the following guidelines:

- Do not inflate a tire above the maximum pressure shown on the sidewall of the tire.
- Do not reinflate a tire that has been run flat or seriously under inflated. Have it inspected and serviced by a qualified tire mechanic.

General Battery Information



WARNING!

- Should battery acid accidentally splatter into the eyes or onto the skin, rinse the affected area immediately with clean cold water. If there is any further discomfort, seek prompt medical attention.
- If acid spills on clothing, first dilute it with clean water, then neutralize with a solution of ammonia/water or baking soda/water.
- NEVER connect (or disconnect) battery charger clips to the battery while the charger is turned on, as it can cause sparks.
- Keep all sources of ignition (cigarettes, matches, lighters) away from the battery. The gas generated during charging can be combustible.
- As a further precaution, only charge the battery in a well ventilated area.
- Always shield eyes and protect skin and clothing when working near batteries.
- Batteries contain sulfuric acid and may emit explosive gases. Use extreme caution when handling batteries. Keep batteries out of the reach of children.

Battery Maintenance

- The battery is filled with battery acid and then sealed at the factory. However, even a "maintenance free" battery requires some maintenance to ensure its proper life cycle.
- Spray the terminals and exposed wire with a battery terminal sealer, or coat the terminals with a thin coat of grease or petroleum jelly, to protect against corrosion.
- Always keep the battery cables and terminals clean and free of corrosion.
- Avoid tipping. Even a sealed battery will leak electrolyte when tipped.



WARNING! Batteries contain sulfuric acid and may emit explosive gases. Use extreme caution when handling batteries. Keep batteries out of the reach of children.

Battery Storage

1. When storing the tractor for extended periods, disconnect the negative battery cable. It is not necessary to remove the battery.
2. All batteries discharge during storage. Keep the exterior of the battery clean, especially the top. A dirty battery will discharge more rapidly.
3. The battery must be stored with a full charge. A discharged battery can freeze sooner than a charged battery. A fully charged battery will store longer in cold temperatures than hot.

- Recharge the battery before returning to service. Although the tractor may start, the engine charging system may not fully recharge the battery.

Hydrostatic Transmission

The hydrostatic transmission is sealed at the factory and is maintenance-free. The fluid level cannot be checked and the fluid cannot be changed.

Tractor Storage

If your tractor is not going to be operated for an extended period of time (thirty days to approximately six months), the tractor should be prepared for storage. Store the tractor in a dry and protected location. If stored outside, cover the tractor (including the tires) to protect it from the elements. The procedures outlined below should be performed whenever the tractor is placed in storage.

- Change the engine oil and filter following the instructions provided in the engine manual packed with this manual.



WARNING! Never store the tractor with fuel in the tank indoors or in poorly ventilated enclosures, where fuel fumes may reach an open flame, spark or pilot light as on a furnace, water heater, clothes dryer, etc.

- If storing the tractor for 30 days or more:
 - To prevent gum deposits from forming inside the engine's carburetor and causing possible malfunction of the engine, the fuel system must be either completely emptied, or the gasoline must be treated with a stabilizer to prevent deterioration.



WARNING! Fuel left in the fuel tank deteriorates and will cause serious starting problems.

- Using a fuel stabilizer such as **STA-BIL**® for storage between 30 and 90 days:
 - Read the product manufacturer's instructions and recommendations.
 - Add to clean, fresh gasoline the correct amount of stabilizer for the capacity (approximately 3 gallons) of the fuel system.
 - Fill the fuel tank with treated fuel and run the engine for 2-3 minutes to get stabilized fuel into the carburetor.
- Emptying the fuel system for storage of more than 90 days:
 - Prior to putting the tractor in storage, monitor fuel consumption with the goal of running the fuel tank empty.
 - Run the engine until it begins to stall. Use the choke to keep the engine running until all fuel in the carburetor has been exhausted.
 - Referring to the engine manual, drain the fuel from the carburetor bowl.
- Clean the engine and the entire tractor thoroughly.
- Fully charge the battery, then disconnect the negative cable at the battery to prevent possible discharge. Recharge the battery periodically when in storage.

NOTE: Remove the battery if exposed to prolonged periods of sub-freezing temperatures. Store in a cool, dry location where temperatures are above freezing.

- Lubricate all lubrication points.

NOTE: Using a pressure washer or garden hose is not recommended for cleaning your tractor. It may cause damage to electrical components, spindles, pulleys, bearings or the engine. The use of water will result in shortened life and reduce serviceability.

Removing The Tractor From Storage

- Check the engine oil.
- Fully charge the battery and inflate the tires to the recommended pressure.
- Fill the fuel tank with clean, fresh gasoline.
- Start the engine and allow to idle for a few minutes to ensure engine is operating properly.
- Drive the tractor without a load to make certain all the tractor systems are functioning properly.

Adjustments



WARNING! Shut the engine off, remove the ignition key and engage the parking brake before making adjustments. Protect your hands by using heavy gloves when handling the blades.

Adjusting RH & LH Drive Control Levers

The RH and LH drive control levers can be adjusted up or down and forward or backward for the comfort of the operator. The drive control levers can be placed in either of two height positions, and/or can be moved forward or rearward within the range of the slot in each lower arm..

To adjust the drive control lever height, proceed as follows:

- Remove the upper hex screw and flat washer securing the lever to the pivot bracket.
- While supporting the control lever to keep it from falling, remove the hex screw and flat washer from the bottom of the control lever and lower arm. Refer to Figure 6-4.

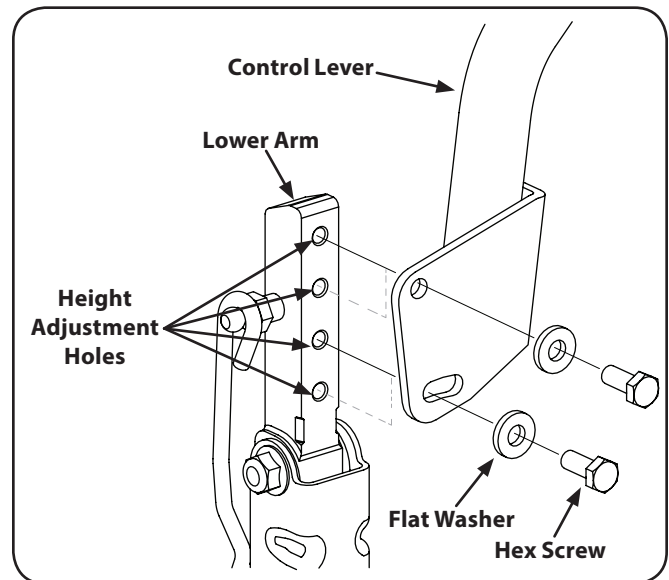


Figure 6-4

- Reposition the control lever to align with the other set of holes in the lower arm and insert the hex screw through the flat washer and into the lower arm.

4. Insert the hex screw through the flat washer and through the control lever slot and the lower arm. Do not tighten now.
5. If you are going to adjust the control levers forward or rearward, proceed to the next step. If not, fully tighten the hex screws.

To adjust the drive control levers forward/rearward, proceed as follows:

1. If not already loose, loosen the hex screw and rotate the control lever either forward or rearward to the desired position. See Figure 6-4.
- NOTE:** If the control lever is too tight to move, slightly loosen the hex screw at the top of the control lever.
2. Tighten the hex screw to fix the control lever in the adjusted position
 3. Repeat the above procedure to adjust the other control lever into the same position. Adjust so that both levers are even with each other when in the neutral position.

Adjustments



WARNING! Shut the engine off, remove the ignition key and engage the parking brake before making adjustments. Protect your hands by using heavy gloves when handling the blades.

Leveling the Deck (Side-to-Side)

NOTE: Check the tractor's tire pressure before performing any deck leveling adjustments. Refer to Tires for information regarding tire pressure. Always level the deck side-to-side before front-to-rear.

If the cutting deck appears to be mowing unevenly, a side-to-side adjustment can be performed. Adjust if necessary as follows:

1. With the tractor parked on a firm, level surface, place the deck lift handle in a middle mowing position and rotate both outside blades so that they are perpendicular with the tractor.
2. Measure the distance from the outside of the left blade tip to the ground and the distance from the outside of the right blade tip to the ground. Both measurements taken should be equal. If they're not, proceed to the next step.
3. Loosen, but do NOT remove, the hex bolt on the rear left deck hanger link. See Figure 6-5.

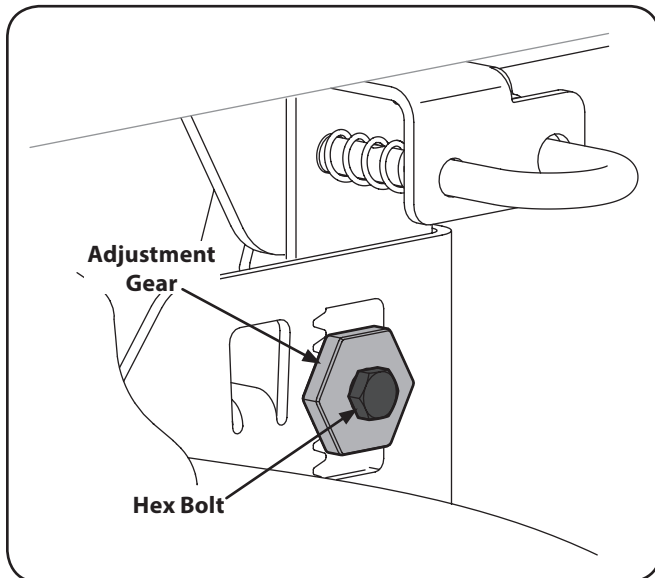


Figure 6-5

NOTE: The rear right deck hanger link is not adjustable and is used to help adjust the other hanger links.

4. Using a wrench, raise or lower the left side of the deck by turning the adjustment gear. See Figure 6-5.
5. The deck is properly leveled when both blade tip measurements are equal. Retighten the hex bolt on the front left deck hanger bracket when proper adjustment is achieved.

Leveling the Deck (Front-to-Rear)

NOTE: Check the tractor's tire pressure before performing any deck leveling adjustments. Refer to Tires on page 22 for information regarding tire pressure. Always level the deck side-to-side before front-to-rear.

The front of the deck should be between $\frac{1}{4}$ - $\frac{3}{8}$ " lower than the rear of the deck. Adjust if necessary as follows:

1. Park the tractor on a firm, level surface and place the deck lift handle in a middle position.
2. Rotate the blade nearest the discharge chute so that it is parallel with the tractor.
3. Measure the distance from the front of the blade tip to the ground and the rear of the blade tip to the ground. The first measurement taken should be between $\frac{1}{4}$ " and $\frac{3}{8}$ " less than the second measurement.
4. Determine the approximate distance necessary for proper adjustment and proceed, if necessary.
5. To *raise* the front of the deck, remove the end cap, loosen the outer nut then tighten (thread inward) the nut against the front hanger bracket. See Figure 6-6. When proper adjustment is achieved, re-tighten the outer nut and replace the end cap.

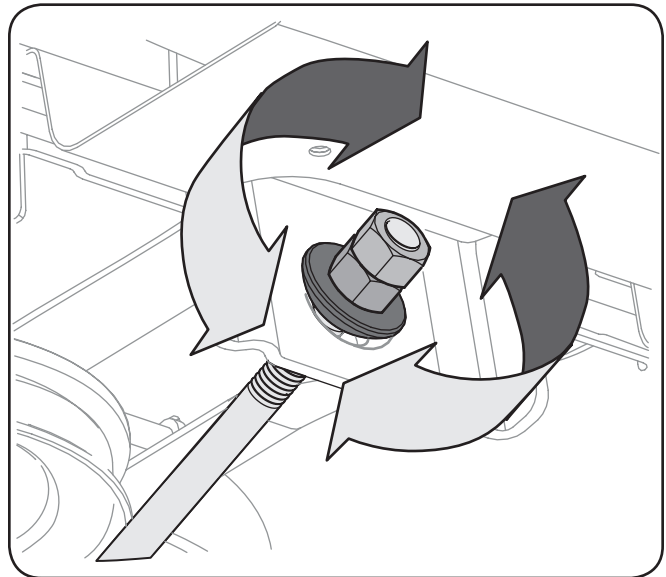


Figure 6-6

6. To *lower* the front of the deck, remove the end cap, loosen the outer nut then loosen (thread outward) the nut, away from the front hanger bracket. See Figure 6-6. When proper adjustment is achieved, re-tighten the outer nut and replace the end cap.

Deck Wheels



WARNING! Keep hands and feet away from the discharge opening of the cutting deck.

NOTE: The deck wheels are an anti-scalp feature of the deck and are not designed to support the weight of the cutting deck.

The deck wheels should be approximately $\frac{1}{4}$ - $\frac{1}{2}$ " above the ground when the deck is set in the desired height setting. To adjust the deck wheels see the Assembly & Set-Up section for instructions.

Drive Control Lever Stop Adjustment

When the drive control levers are both fully extended forward to the full-speed position and the tractor drifts left or right, the drive control lever stop adjustment can be adjusted to sync the wheel speeds. To perform the adjustment, proceed as follows:

1. Identify the side that the tractor is drifting to and adjust the opposite drive control lever. If the tractor drifts right, adjust the left control lever down (decrease speed) and vice versa.
2. Locate the drive control lever stop adjustment bolts on the front of the seat frame. See Figure 6-7.

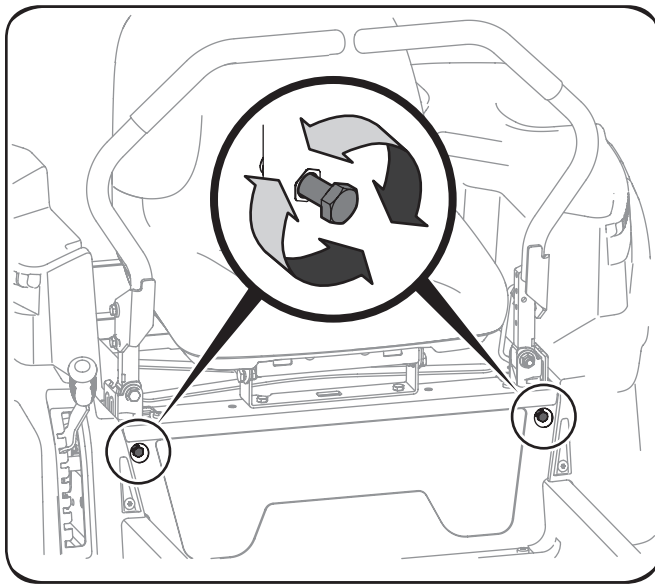


Figure 6-7

3. To decrease the forward speed, turn the bolt clockwise. To increase the forward speed, turn the bolt counter-clockwise. Turn the bolt in the necessary direction $\frac{1}{4}$ -turn at a time. After turning the bolt, check the adjustment by driving the tractor.
4. Continue the adjustment until the wheel speeds are in sync and the tractor drives straight with the drive control levers fully extended forward in the full-speed position.

Off-Season Storage

Riding Mower Storage

If your riding mower is not going to be operated for an extended period of time (thirty days to approximately six months), the riding mower should be prepared for storage. Store the riding mower in a dry and protected location. If stored outside, cover the riding mower (including the tires) to protect it from the elements. The procedures outlined below should be performed whenever the riding mower is placed in storage.

1. Change the engine oil and filter following the instructions provided in the Engine Manual.



WARNING! Never store the riding mower with fuel in the tank indoors or in poorly ventilated enclosures, where fuel fumes may reach an open flame, spark or pilot light as on a furnace, water heater, clothes dryer, etc.

2. Service the engine as instructed in the separate engine manual.
3. Engines stored between 30 and 90 days need to be treated with a gasoline stabilizer such as **STA-BIL**® and engines stored over 90 days need to be drained of fuel to prevent deterioration and gum from forming in fuel system or on essential carburetor parts. If the gasoline in your engine deteriorates during storage, you may need to have the carburetor, and other fuel system components, serviced or replaced.



WARNING! Drain fuel only into an approved container outdoors, away from an open flame. Allow engine to cool. Extinguish cigarettes, cigars, pipes, and other sources of ignition prior to draining fuel.

3. Remove the spark plugs and pour approximately one ounce of oil into each cylinder. Crank the engine one or two turns to spread the oil evenly on the cylinder walls. Replace the spark plugs.
4. Clean the engine and the entire riding mower thoroughly.
NOTE: Use of a pressure washer or garden hose is not recommended to clean your riding mower. They may cause damage to electrical components, spindles, pulleys, bearings or the engine. The use of water will result in shortened life and reduce serviceability.
5. Sharpen the blades so that the mower will be ready to use when needed.
6. Protect the metal surfaces. Repair scratches with the appropriate touch-up spray paint. Brush a rust preventive oil on any unpainted surfaces including the pulleys and blades. (Be careful not to get any oil on the drive belts.)
7. Clean and fully charge the battery, then disconnect the negative cable at the battery to prevent possible discharge. Recharge the battery periodically when in storage.
NOTE: Remove the battery if exposed to prolonged periods of sub-freezing temperatures. Store in a cool, dry location where temperatures are above freezing.
8. Lubricate all lubrication points.
9. Jack the mower up and store it on blocks to take the weight off of the tires.

Removing the Riding Mower from Storage

1. Check the engine oil.
2. Fully charge the battery, lower riding mower off blocks, and inflate the tires to the recommended pressure.
3. Remove the spark plugs and wipe them off. Using the starter, crank the engine to pump the excess oil out of the spark plug holes. Replace the spark plugs and the ignition leads.
4. If drained before storing, fill the fuel tank with clean, fresh gasoline.
5. Check the level of the engine oil in the crankcase and the hydraulic reservoir tank.
6. Start the engine and allow to idle for a few minutes to ensure engine is operating properly.
7. Drive the riding mower without a load to make certain all the riding mower systems are functioning properly.

Battery Removal



WARNING! Battery posts, terminals and related accessories contain lead and lead compounds. Wash hands after handling.

The battery is located beneath the seat frame. To remove the battery:

1. Remove the hex washer screw securing the battery hold-down bracket to the frame. Then flip the battery hold-down bracket up to free the battery. See Figure 7-1.

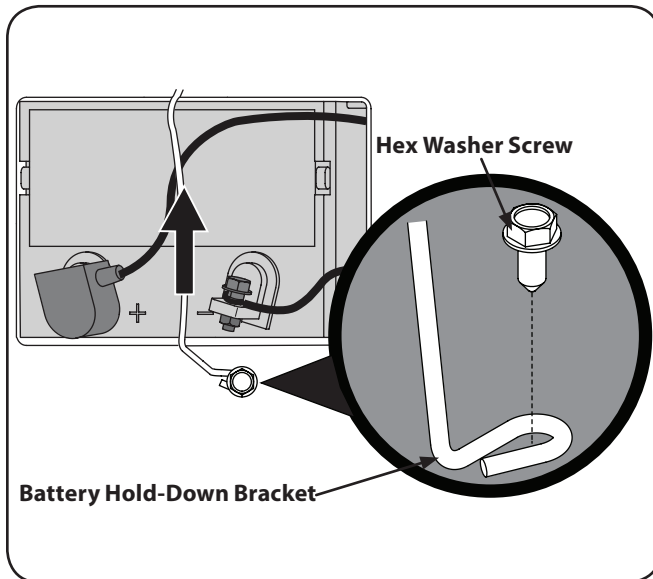


Figure 7-1

2. Remove the hex cap screw and sems nut securing the black negative battery lead to the negative battery post (marked NEG). Move the cable away from the negative battery post.
3. Remove the hex cap screw and sems nut securing the red positive battery lead to the positive battery post (marked POS).
4. Carefully lift the battery out of the tractor.
5. Install the battery by repeating the above steps in the reverse order.



WARNING! Always connect the positive lead to the battery before connecting the negative lead. This will prevent sparking or possible injury from an electrical short caused by contacting the tractor body with tools being used to connect the cables.

Charging the Battery

Test and, if necessary, recharge the battery after the tractor has been stored for a period of time.

- A voltmeter or load tester should read 12.6 volts (DC) or higher across the battery terminals. See Figure 7-2.

Voltmeter Reading	State of Charge	Charging Time
12.7	100%	Full Charge
12.4	75%	90 Min.
12.2	50%	180 Min.
12.0	25%	280 Min.

Figure 7-2

- Charge the battery with a 12-volt battery charger at a MAXIMUM rate of 10 amps.

Servicing Electrical System

A fuse is installed to protect the tractor's electrical system from damage caused by excessive amperage. Always use the same capacity fuse for replacement. If the electrical system does not function, check for a blown fuse.

If you have a recurring problem with blown fuses, have the tractor's electrical system checked by your Cub Cadet Service Dealer.

Relays and Switches

There are several safety switches in the electrical system. If a function of the safety interlock system described earlier is not functioning properly, have the electrical system checked by your Cub Cadet Service Dealer.

Deck Removal

Remove the mower deck from the tractor as follows:

1. Move the tractor to a level surface, disengage the PTO, stop the engine, and set the parking brake.
2. Move the deck gauge wheels or rollers to their highest setting (lowest deck setting).
3. Remove the 'V' belt from the PTO pulley, located on the bottom of the engine, using one of the following two methods.



WARNING! The muffler at the rear of the tractor may be extremely hot, and could cause serious burns. Use extreme caution when near the muffler. Allow the muffler to fully cool before removing the belt from the PTO pulley.

Releasing Belt Tension with the Idler Pulley

- Using the deck lift handle, raise the deck to the position that provides the most horizontal run of the belt between the deck idler pulleys and the PTO pulley on the bottom of the engine. See Figure 7-3.

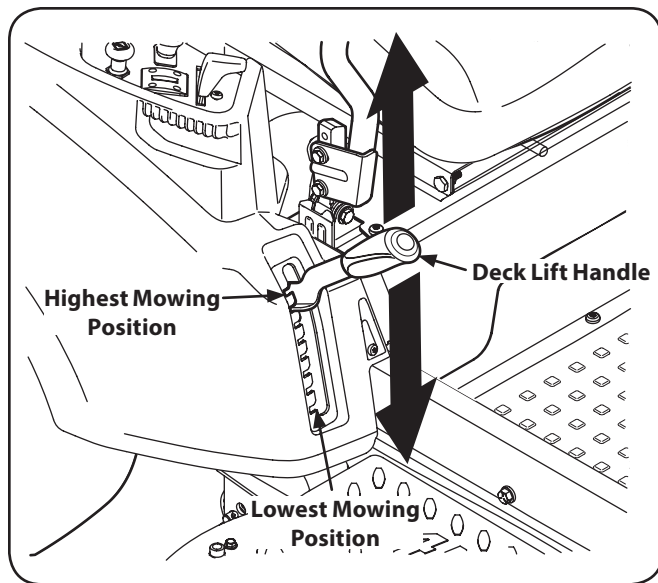


Figure 7-3

- Working from the middle of the tractor, pivot the idler bracket and movable idler pulley rearward away from the backside of the "V" belt just far enough to lift the belt up and over the idler pulley. See Figure 7-4.

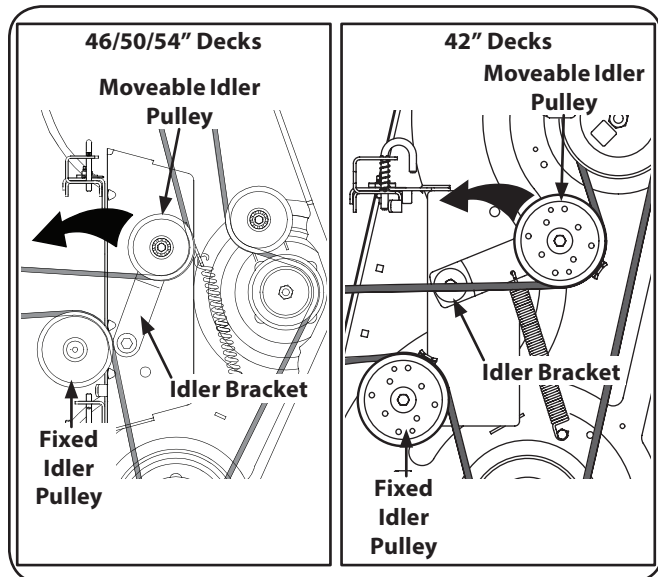


Figure 7-4

- From beneath the rear of the tractor, slide the belt off of the PTO pulley on the bottom of the engine.

Rolling the Belt off the PTO Pulley

- Using the deck lift handle, raise the deck to the position that provides the most horizontal run of the belt between the deck idler pulleys and the PTO pulley on the bottom of the engine.
- Sitting behind the tractor facing forward, reach beneath the tractor to grasp the belt at the front of the PTO pulley.



WARNING! Use caution to avoid pinching your fingers when rolling the belt off the PTO pulley.

- Pull the left side of the belt rearward and downward while manually turning the PTO pulley to the right until the belt rides out onto the edge of the lower sheave of the pulley.
NOTE: If pulling the right side of the belt, turn the pulley left.
- While still holding the belt downward, continue turning the PTO pulley until the belt rolls off the pulley. Refer to Figure 7-5.

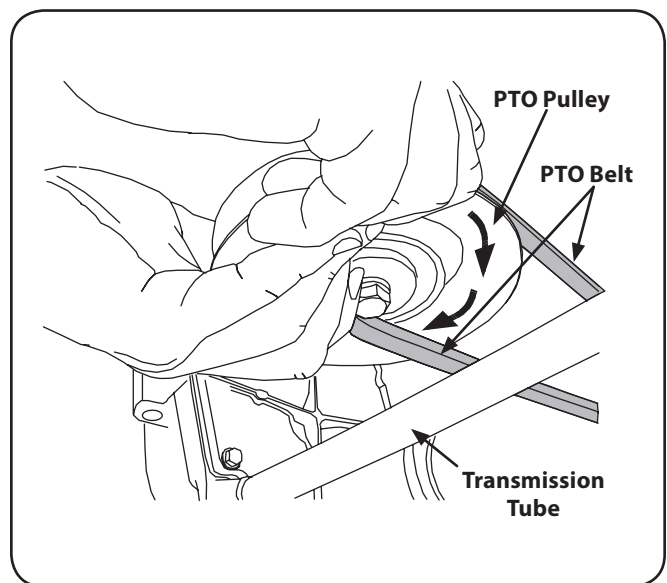


Figure 7-5

- Lower the deck into the lowest position using the deck lift handle. See Figure 7-3.

6. Pull the cotter pin out of the front deck lift rod securing it to the deck. See Figure 7-6. Slide the deck lift rod out of the front hanger bracket.

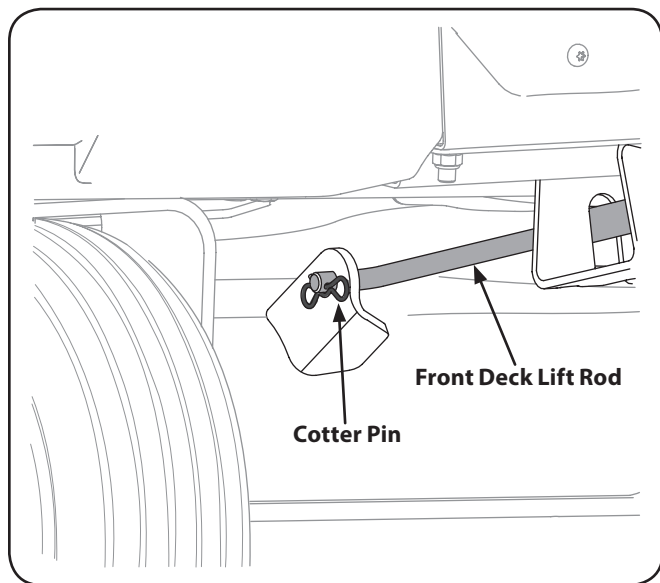


Figure 7-6

7. Locate the LH and RH deck release pins on each side of the deck. Pull the release pins outward and release the deck from the LH and RH deck lift arms. See Figure 7-7.

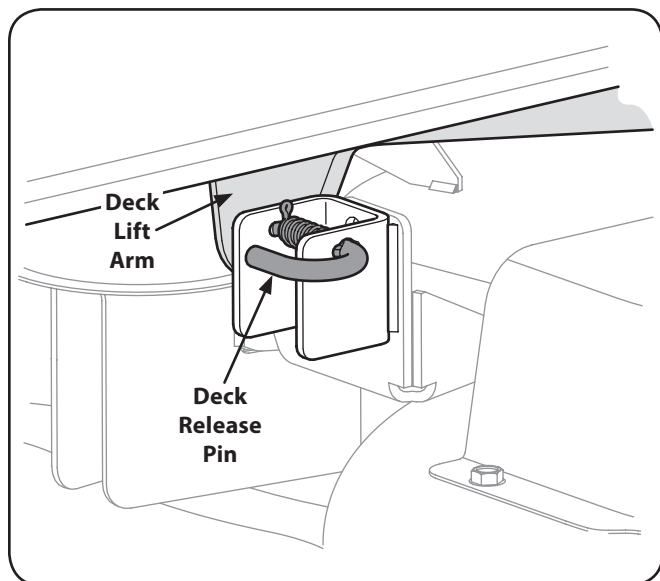


Figure 7-7

8. Place the deck lift handle into the highest mowing position and slide the deck out from beneath the tractor.

Deck Installation

Install the deck on the tractor as follows:

1. Place the deck lift handle in the highest mowing position See Figure 7-3.
2. Slide the deck under the tractor on the right side of the tractor lining up the deck hanger brackets and the deck lift arms.
3. Once the deck is under the tractor, move the deck lift handle to the lowest mowing position.

NOTE: To line the brackets up properly, it may be necessary to place a small block of wood under each side of the deck.

4. Pull the deck release pins outward and maneuver the deck as necessary to align the holes in the deck lift arms with the pins. Refer to Figure 7-7.
5. When aligned, push each pin fully inward through the lift arms to secure the arms in the rear hanger bracket slots.
6. Reinstall the front deck lift rod and secure in place with the cotter pin. Refer to Figure 7-6.
7. Make certain the 'V' belt is in the spindle pulleys on the deck; then route the belt rearward beneath the tractor frame, above the transmission tube(s), to the PTO pulley on the bottom of the engine.
8. Using the deck lift handle, raise the deck to the position that provides the most horizontal run of the belt between the deck idler pulleys and the PTO pulley on the bottom of the engine.
9. Make certain the belt is in the spindle pulleys of the deck, and that the backside of the belt is against both the fixed and movable idler pulleys.
10. Sitting behind the tractor, facing forward, make certain the belt is not twisted; then reach beneath the tractor to grasp the belt and pull it toward the PTO pulley.



WARNING! Use caution to avoid pinching your fingers when rolling the belt onto the PTO pulley.

11. Pull the right side of the belt rearward and place the narrow V side of the belt into the PTO pulley. See Figure 7-5.
12. While holding the belt and pulley together, rotate the pulley to the left (See Figure 7-5). Continue holding and rotating the pulley and belt until the belt is fully rolled into the PTO pulley.

NOTE: Before using the tractor double-check the belt routing to make sure that the belt has been routed properly.

Replacing the Belt

1. Remove the deck from beneath the tractor, (refer to Deck Removal).
2. Loosen, but do not remove the hardware on the right and left idler pulley. Refer to Figure 7-8 for 42" decks, Figure 7-9 for 46" decks and Figure 7-10 for 50" & 54" decks.

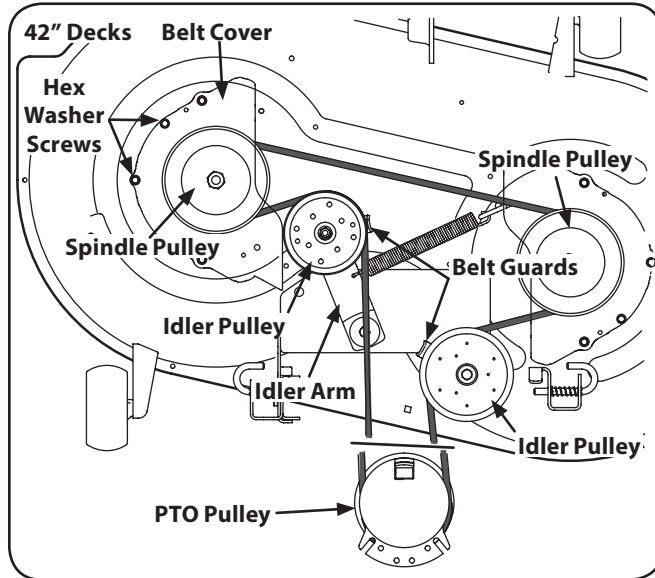


Figure 7-8

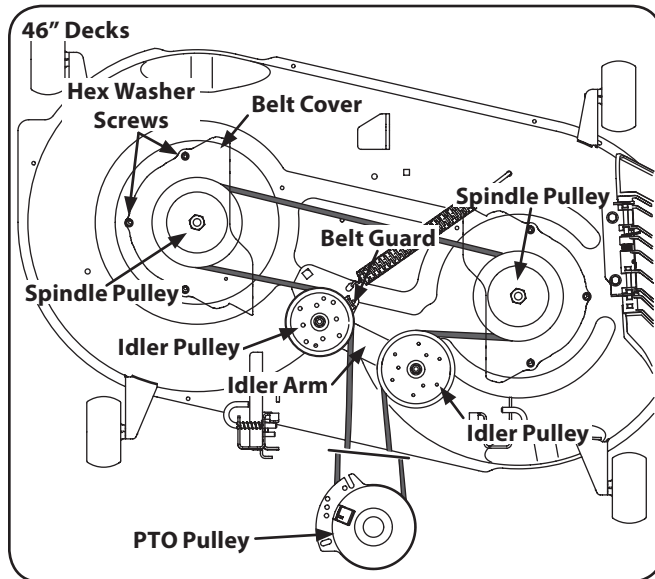


Figure 7-9

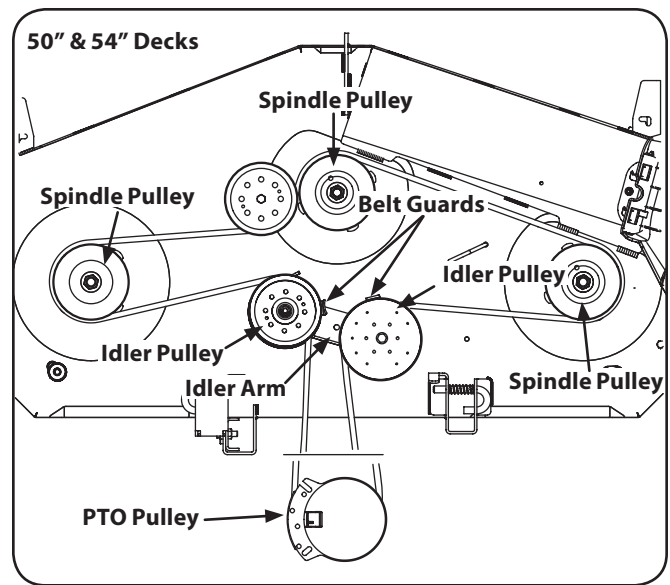


Figure 7-10

NOTE: Take note of the position of the belt guards to ensure they are properly re-installed.

NOTE: On Some decks it may be necessary to remove the spindle covers to remove and/or install the new belt. To remove the spindle covers, remove the screws securing them to the deck.

3. Carefully remove the belt from around the idler pulleys and the spindle pulleys.
4. Install the new belt around the pulleys as shown and reinstall the belt covers.
5. Place the belt around the idler pulleys removed in step 3 with the "V" side facing in. Once in place, reinstall all the hardware and tighten the flange lock nut to secure the assembly.
6. Route the belt as shown and then reinstall the deck (refer to Deck Installation).

Mower Blade Care



WARNING! Before performing any maintenance, place the PTO switch in the “OFF” position, engage the parking brake lever, turn the ignition key to the “OFF” position and remove the key from the switch. Protect your hands by using heavy gloves when handling the blades. When servicing the mower deck, be careful not to cut yourself on the sharpened blades.

The cutting blades must be kept sharp at all times. Sharpen the cutting edges of the blades evenly so that the blades remain balanced and the same angle of sharpness is maintained.

If the cutting edge of a blade has already been sharpened many times, or if any metal separation is present, it is recommended that new blades be installed. New blades are available at your authorized dealer.

The blades may be removed as follows.

1. Remove the deck from beneath the tractor, (refer to Deck Removal on page 28) then gently flip the deck over to expose its underside.
2. Use a $1\frac{5}{16}$ " wrench to hold the hex nut on top of the spindle assembly when loosening the hex nut securing the blade. A block of wood may be placed between the deck housing and the cutting edge of the blade to help in breaking loose the hex nut securing the blade. See Figure 7-11.

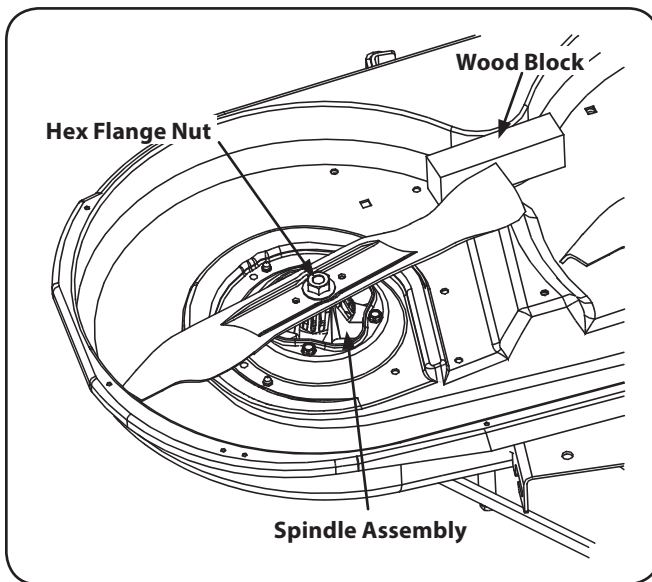


Figure 7-11

3. When reinstalling the blades, be sure they are installed so that the wings are pointing upward toward the top of the deck.
4. Tighten the blade nuts to 70-90 ft. lbs.
5. Reinstall the deck (refer to Deck Installation on page 30).

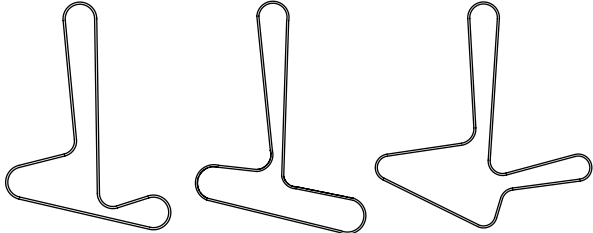
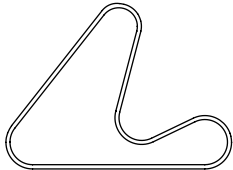
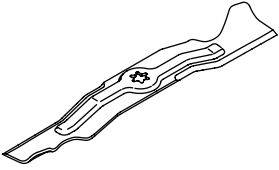
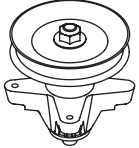

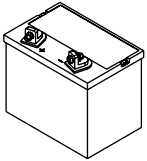

Changing the Transmission Drive Belt

Several components must be removed and special tools used in order to change the tractor's transmission drive belt. See your Cub Cadet dealer to have the transmission drive belt replaced.



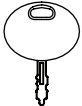
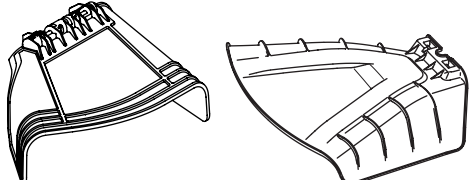
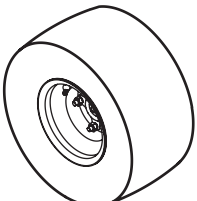
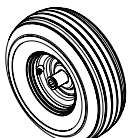
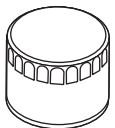
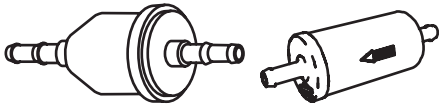
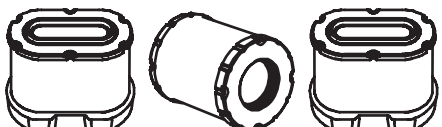

Tractor Creeping

Creeping is the slight forward or backward movement of the mower when the throttle is on and the speed control levers are in the neutral position. If your mower creeps, see an authorized service dealer.

Problem	Cause	Remedy
Excessive vibration	<ol style="list-style-type: none"> 1. Cutting blade loose or unbalanced. 2. Damaged or bent cutting blade. 	<ol style="list-style-type: none"> 1. Tighten blade and spindle. 2. Replace blade.
Uneven cut	<ol style="list-style-type: none"> 1. Deck not leveled properly. 2. Dull blade. 3. Uneven tire pressure. 	<ol style="list-style-type: none"> 1. Perform side-to-side deck adjustment. 2. Sharpen or replace blade. 3. Check tire pressure in all four tires.
Mower will not mulch grass (If Equipped w/ Mulching Kit)	<ol style="list-style-type: none"> 1. Engine speed too low. 2. Wet grass. 3. Excessively high grass. 4. Dull blade. 	<ol style="list-style-type: none"> 1. Place throttle in FAST (rabbit) position. 2. Do not mulch when grass is wet. 3. Mow once at a high cutting height, then mow again at desired height or make a narrower cutting swath. 4. Sharpen or replace blade.

Component	Part Number and Description
	<p>954-04033A Deck Belt, RZT L42 954-04325 Deck Belt, RZT L46 954-05078 Deck Belt, RZT L50 954-04329A Deck Belt, RZT L54</p>
	<p>954-04317A Drive Belt</p>
	<p>942-04312 Deck Blade, RZT L42 942-04244A Deck Blade, RZT L46 942-05052A Deck Blade, RZT L50 942-05056A Deck Blade, RZT L54</p>
	<p>918-07087 Deck Spindle, RZT L42 918-05078A Deck Blade, RZT L46 918-06980 Deck Spindle, RZT L50 918-06978 Deck Blade, RZT L54</p>
	<p>734-04155 Deck Wheel</p>
	<p>925-1707D Battery</p>
	<p>951-12179B Gas Cap 951-12426A Gas Cap (California models)</p>

Phone (800) 828-5500 to order replacement parts or a complete Parts Manual (have your full model number and serial number ready).
 Parts Manual downloads are also available free of charge at www.troybilt.com.

Component	Part Number and Description
	946-05145 Throttle/Choke Control Cable (Kohler Engines) 946-05130 Throttle/Choke Control Cable (Briggs & Stratton Engines)
	946-05008 Brake Cable
	625-05002 Ignition Key
	631-04354 Discharge Chute Assy., RZT L42/46 631-05116 Discharge Chute Assy., RZT L50/54
	634-04293-0931 Wheel Assembly, RZT L42/46 634-04128-0931 Wheel Assembly, RZT L50/54
	634-04237B Caster Wheel Assy., RZT L42 634-04711 Caster Wheel Assy., RZT L46/50/54
	KH-12-050-01-S Oil Filter (Kohler Engines) BS-492932S Oil Filter (Briggs/46" Deck) BS-696854 Oil Filter (Briggs/54" Deck)
	KH-25-050-22-S1 Fuel Filter (Kohler Engines) BS-691035 Fuel Filter (Briggs Engines)
	KH-32-883-09-S1 Air Filter (Kohler Engines) BS-591334 Air Filter (Briggs/46" Deck) BS-792105 Air Filter (Briggs/54" Deck)
	KH-12-132-02-S Spark Plug (Kohler Engines) 759-3336 Spark Plug (Briggs Engines)

Phone (800) 828-5500 to order replacement parts or a complete Parts Manual (have your full model number and serial number ready). Parts Manual downloads are also available free of charge at www.troybilt.com.

The following attachments and accessories are compatible with your Troy-Bilt RZT L tractor. See your Troy-Bilt dealer or the retailer from which you purchased your tractor for information regarding price and availability.

Part Number	Part
19A70041OEM	42" Mulch Kit
19B30005OEM	46" Mulch Kit
19A30016OEM	50" Mulch Kit
19A70042OEM	54" Mulch Kit
19C70020OEM	42" Bagger w/ Weight Kit
19C70020OEM	46" Bagger w/ Weight Kit
19B70004OEM	50" Bagger w/ Weight Kit
19A70034OEM	54" Bagger w/ Weight Kit
490-290-0013	Tractor Cover
490-850-0005	Blade Removal Tool
490-850-0008	Oil Siphon
490-900-0045	Oil Filter Wrench
SPW-136	Spark Plug Wrench
490-325-L021	1 Gallon Tire & Tube Sealant by Tire Aid™
490-325-L019	24 oz. Tire & Tube Sealant by Tire Aid™
490-850-L013	Deluxe Tire/Tube Foot Pump by Tire Aid™
490-850-L014	Tire Aid™ Deluxe Tire Plug Kit by Tire Aid™
490-328-L014	15" Tractor Tube with Sealant by Tire Aid™
490-328-L016	18" & 20" Tractor Tube with Sealant by Tire Aid™
22216	32 oz. STA-BIL®

A series of 20 horizontal lines for writing notes.

FEDERAL and/or CALIFORNIA EMISSION CONTROL WARRANTY STATEMENT
YOUR WARRANTY RIGHTS AND OBLIGATIONS

MTD Consumer Group Inc, the United States Environmental Protection Agency (EPA), and for those products certified for sale in the state of California, the California Air Resources Board (CARB) are pleased to explain the evaporative emission control system (ECS) warranty on your 2014-2015 small off-road equipment (outdoor equipment). In California, new outdoor equipment must be designed, built and equipped to meet the State's stringent anti-smog standards (in other states, outdoor equipment must be designed, built, and equipped to meet the U.S. EPA small off-road spark ignition engine regulations). MTD Consumer Group Inc must warrant the ECS on your outdoor equipment for the period of time listed below, provided there has been no abuse, neglect, or improper maintenance of the outdoor equipment.

Your ECS may include parts such as fuel tanks, fuel lines, fuel caps, valves, canisters, filters, vapor hoses, clamps, connectors, and other associated emission-related components.

Where a warrantable condition exists, MTD Consumer Group Inc will repair your outdoor equipment at no cost to you including diagnosis, parts, and labor.

MANUFACTURER'S WARRANTY COVERAGE:

This emission control system is warranted for two years. If any emission-related part on your outdoor equipment is defective, the part will be repaired or replaced by MTD Consumer Group Inc.

OWNER'S WARRANTY RESPONSIBILITIES:

As the outdoor equipment owner, you are responsible for performance of the required maintenance listed in your owner's manual. MTD Consumer Group Inc recommends that you retain all receipts covering maintenance on your outdoor equipment, but MTD Consumer Group Inc cannot deny warranty solely for the lack of receipts.

As the outdoor equipment owner, you should however be aware that MTD Consumer Group Inc may deny you warranty coverage if your outdoor equipment or a part has failed due to abuse, neglect, improper maintenance, or unapproved modifications.

You are responsible for presenting your outdoor equipment to MTD Consumer Group Inc's distribution center or service center as soon as the problem exists. The warranty repairs should be completed in a reasonable amount of time, not to exceed 30 days. If you have a question regarding your warranty coverage, you should contact the MTD Consumer Group Inc Service Department at 1-800-800-7310 or at <http://support.mtdproducts.com>.

GENERAL EMISSIONS WARRANTY COVERAGE:

MTD Consumer Group Inc warrants to the ultimate purchaser and each subsequent purchaser that the outdoor equipment is: (1) designed, built, and equipped so as to conform with all applicable regulations; and (2) free from defects in materials and workmanship that cause the failure of a warranted part for a period of two years.

The warranty period begins on the date the outdoor equipment is delivered to an ultimate purchaser or first placed into service.

Subject to certain conditions and exclusions as stated below, the warranty on emission-related parts is as follows:

1. Any warranted part that is not scheduled for replacement as required maintenance in the written instructions supplied is warranted for the warranty period stated above. If the part fails during the period of warranty coverage, the part will be repaired or replaced by MTD Consumer Group Inc according to subsection (4) below. Any such part repaired or replaced under warranty will be warranted for the remainder of the period.
 2. Any warranted part that is scheduled only for regular inspection in the written instructions supplied is warranted for the warranty period stated above. Any such part repaired or replaced under warranty will be warranted for the remaining warranty period.
 3. Any warranted part that is scheduled for replacement as required maintenance in the written instructions supplied is warranted for the period of time before the first scheduled replacement date for that part. If the part fails before the first scheduled replacement, the part will be repaired or replaced by MTD Consumer Group Inc according to subsection (4) below. Any such part repaired or replaced under warranty will be warranted for the remainder of the period prior to the first scheduled replacement point for the part.
 4. Repair or replacement of any warranted part under the warranty provisions herein must be performed at a warranty station at no charge to the owner.
 5. Notwithstanding the provisions herein, warranty services or repairs will be provided at all of our distribution centers that are franchised to service the subject engines or equipment.
 6. The outdoor equipment owner will not be charged for diagnostic labor that is directly associated with diagnosis of a defective, emission-related warranted part, provided that such diagnostic work is performed at a warranty station.
 7. MTD Consumer Group Inc is liable for damages to other engine or equipment components proximately caused by a failure under warranty of any warranted part.
 8. Throughout the off-road engine and equipment warranty period stated above, MTD Consumer Group Inc will maintain a supply of warranted parts sufficient to meet the expected demand for such parts.
 9. Any replacement part may be used in the performance of any warranty maintenance or repairs and must be provided without charge to the owner. Such use will not reduce the warranty obligations of MTD Consumer Group Inc.
 10. Add-on or modified parts that are not exempted by the Air Resources Board may not be used. The use of any non-exempted add-on or modified parts by the ultimate purchaser will be grounds for disallowing a warranty claim. MTD Consumer Group Inc will not be liable to warrant failures of warranted parts caused by the use of a non-exempted add-on or modified part.
-

WARRANTED PARTS:

The repair or replacement of any warranted part otherwise eligible for warranty coverage may be excluded from such warranty coverage if MTD Consumer Group Inc demonstrates that the outdoor equipment has been abused, neglected, or improperly maintained, and that such abuse, neglect, or improper maintenance was the direct cause of the need for repair or replacement of the part. That notwithstanding, any adjustment of a component that has a factory installed, and properly operating, adjustment limiting device is still eligible for warranty coverage. Further, the coverage under this warranty extends only to parts that were present on the off-road equipment purchased.

The following emission warranty parts are covered (if applicable):

1. Fuel Metering System
 - Fuel pump
 - Fuel tank
2. Evaporative Control
 - Fuel hose
 - Fuel hose clamps
 - Tethered fuel cap
 - Carbon canister
 - Vapor lines

MANUFACTURER'S LIMITED WARRANTY FOR



The limited warranty set forth below is given by Troy-Bilt LLC with respect to new merchandise purchased and used in the United States and/or its territories and possessions, and by MTD Products Limited with respect to new merchandise purchased and used in Canada and/or its territories and possessions (either entity respectively, "Troy-Bilt").

This warranty is in addition to any applicable emissions warranty provided with your product.

"Troy-Bilt" warrants this product (excluding its *Normal Wear Parts*, *Frame* and *Attachments* as described below) against defects in material and workmanship for a period of three (3) years commencing on the date of original purchase and will, at its option, repair or replace, free of charge, any part found to be defective in materials or workmanship. This limited warranty shall only apply if this product has been operated and maintained in accordance with the Operator's Manual furnished with the product, and has not been subject to misuse, abuse, commercial use, neglect, accident, improper maintenance, alteration, vandalism, theft, fire, water, or damage because of other peril or natural disaster. Damage resulting from the installation or use of any part, accessory or attachment not approved by Troy-Bilt for use with the product(s) covered by this manual will void your warranty as to any resulting damage.

Normal Wear Parts are warranted to be free from defects in material and workmanship for a period of thirty (30) days from the date of purchase. Normal wear parts include, but are not limited to items such as: batteries, belts, blades, blade adapters, tines, grass bags, wheels, rider deck wheels, seats, snow thrower skid shoes, friction wheels, shave plates, auger spiral rubber and tires.

Frame — Troy-Bilt warrants the frame against defects in material and workmanship for the life of the product, to the original purchaser only, commencing on the date of original purchase or lease for as long as the original purchaser owns it.

Attachments — Troy-Bilt warrants attachments for this product against defects in material and workmanship for a period of one (1) year, commencing on the date of the attachment's original purchase or lease. Attachments include, but are not limited to items such as: grass collectors and mulch kits.

HOW TO OBTAIN SERVICE: Warranty service is available, WITH PROOF OF PURCHASE, through your local authorized service dealer. To locate the dealer in your area:

In the U.S.A.

Check your Yellow Pages, or contact Troy-Bilt LLC at P.O. Box 361131, Cleveland, Ohio 44136-0019, or call 1-866-840-6483, 1-330-558-7220 or log on to our Web site at www.troybilt.com.

In Canada

Contact MTD Products Limited, Kitchener, ON N2G 4J1, or call 1-800-668-1238 or log on to our Web site at www.mtdcanada.com.

This limited warranty does not provide coverage in the following cases:

- a. The engine or component parts thereof. These items may carry a separate manufacturer's warranty. Refer to applicable manufacturer's warranty for terms and conditions.

- b. Log splitter pumps, valves, and cylinders have a separate one-year warranty.
- c. Routine maintenance items such as lubricants, filters, blade sharpening, tune-ups, brake adjustments, clutch adjustments, deck adjustments, and normal deterioration of the exterior finish due to use or exposure.
- d. Service completed by someone other than an authorized service dealer.
- e. Troy-Bilt does not extend any warranty for products sold or exported outside of the United States and/or Canada, and their respective possessions and territories, except those sold through Troy-Bilt's authorized channels of export distribution.
- f. Replacement parts that are not genuine Troy-Bilt parts.
- g. Transportation charges and service calls.
- h. Troy-Bilt does not warrant this product for commercial use.

No implied warranty, including any implied warranty of merchantability or fitness for a particular purpose, applies after the applicable period of express written warranty above as to the parts as identified. No other express warranty, whether written or oral, except as mentioned above, given by any person or entity, including a dealer or retailer, with respect to any product, shall bind Troy-Bilt. During the period of the warranty, the exclusive remedy is repair or replacement of the product as set forth above.

The provisions as set forth in this warranty provide the sole and exclusive remedy arising from the sale. Troy-Bilt shall not be liable for incidental or consequential loss or damage including, without limitation, expenses incurred for substitute or replacement lawn care services or for rental expenses to temporarily replace a warranted product.

Some states do not allow the exclusion or limitation of incidental or consequential damages, or limitations on how long an implied warranty lasts, so the above exclusions or limitations may not apply to you.

In no event shall recovery of any kind be greater than the amount of the purchase price of the product sold. **Alteration of safety features of the product shall void this warranty.** You assume the risk and liability for loss, damage, or injury to you and your property and/or to others and their property arising out of the misuse or inability to use the product.

This limited warranty shall not extend to anyone other than the original purchaser or to the person for whom it was purchased as a gift.

HOW STATE LAW RELATES TO THIS WARRANTY: This limited warranty gives you specific legal rights, and you may also have other rights which vary from state to state.

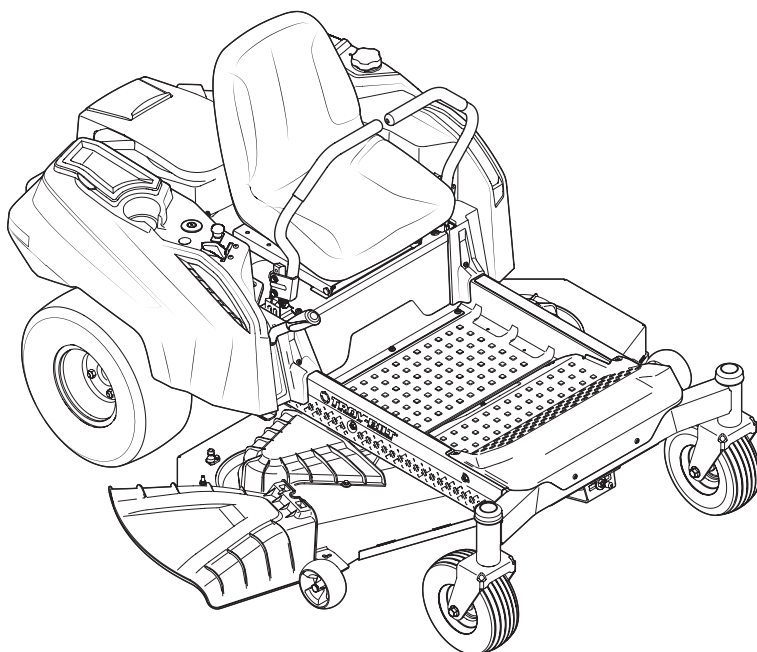
IMPORTANT: Owner must present Original Proof of Purchase to obtain warranty coverage.

Troy-Bilt LLC, P.O. BOX 361131 CLEVELAND, OHIO 44136-0019; Phone: 1-866-840-6483, 1-330-558-7220
MTD Canada Limited - KITCHENER, ON N2G 4J1; Phone 1-800-668-1238

Medidas importantes de seguridad • Configuración • Funcionamiento
• Mantenimiento • Servicio • Solución de problemas • Garantía



MANUAL DEL OPERADOR



Mustang Serie RZT

⚠ ADVERTENCIA

LEA Y RESPETE TODAS LAS NORMAS DE SEGURIDAD E INSTRUCCIONES INCLUIDAS EN ESTE MANUAL ANTES DE PONER EN FUNCIONAMIENTO ESTA MÁQUINA. SI NO RESPETA ESTAS INSTRUCCIONES PUEDE PROVOCAR LESIONES PERSONALES.

TROY-BILT LLC, P.O. BOX 361131 CLEVELAND, OHIO 44136-0019

Gracias

Gracias por comprar una Troy-Bilt cero a su vez de tractores. La misma ha sido diseñada cuidadosamente para brindar excelente rendimiento si se la opera y mantiene correctamente.

Por favor lea todo este manual antes de operar el equipo. Le indica cómo configurar, operar y mantener la máquina con seguridad y fácilmente. Por favor asegúrese de seguir cuidadosamente y en todo momento las prácticas de seguridad recomendadas, y hacérselas seguir a cualquier otra persona que opere la máquina. En caso de no hacerlo podrían producirse lesiones personales o daños materiales.

Toda la información contenida en este manual hace referencia a la más reciente información de producto disponible en el momento de la impresión. Revise el manual frecuentemente para familiarizarse con la unidad, sus características y funcionamiento. Por favor tenga en cuenta que este Manual del Operador puede cubrir una gama de especificaciones de productos de diferentes modelos. Las características y funciones incluidas y/o ilustradas en este manual pueden no ser aplicables a todos los modelos. Reservamos el derecho de modificar las especificaciones de los productos, los diseños y el equipo

estándar sin previo aviso y sin generar responsabilidad por obligaciones de ningún tipo.

En su caso, los datos de prueba de potencia utilizados para establecer la máxima potencia equipado en esta máquina se pueden encontrar en www.opei.org o sitio web del fabricante del motor. Si tiene algún problema o duda respecto a la unidad, llame a un distribuidor de servicio Troy-Bilt autorizado o póngase en contacto directamente con nosotros. Los números de teléfono, dirección del sitio web y dirección postal de la Asistencia al Cliente de Troy-Bilt se encuentran en esta página. Queremos garantizar su entera satisfacción en todo momento.

En este manual, las referencias al lado *derecho* o *izquierdo* de la máquina se observan desde la posición del operador.

El fabricante del motor es el responsable de todas las cuestiones relacionadas con el rendimiento, potencia de salida, especificaciones, garantía y mantenimiento del motor. Para obtener mayor información consulte el Manual del Propietario / Operador entregado por el fabricante del motor, que se envía, en un paquete por separado, junto con su unidad.

Índice

Importante Medidas importantes de seguridad..	3	Mantenimiento y Ajustes.....	23
Ensamblado y Configuración.....	9	Servicio.....	29
Controles y Características.....	13	Solución de Problemas	34
Funcionamiento	16	Garantías	38

Registro de información de producto

Antes de configurar y operar su equipo nuevo, por favor localice la placa de modelo en el equipo y registre la información en el área situada a la derecha. Gire el conjunto del asiento hacia adelante para ubicar la placa de modelo en el lado inferior del soporte de pivote del asiento. Si tiene que solicitar soporte técnico a través de nuestro sitio web, el Departamento de Asistencia al Cliente, o de un distribuidor de servicio autorizado local, necesitará esta información.

NÚMERO DE MODELO

□	□	□	□	□	□	□	□	□	□	□
---	---	---	---	---	---	---	---	---	---	---

NÚMERO DE SERIE

□	□	□	□	□	□	□	□	□	□	□
---	---	---	---	---	---	---	---	---	---	---

Asistencia al Cliente

Por favor, NO devuelva la unidad al minorista o distribuidor sin ponerse en contacto primero con el Departamento de Asistencia al Cliente.

En caso de tener problemas para montar este producto o de tener dudas con respecto a los controles, funcionamiento o mantenimiento del mismo, puede solicitar la ayuda de expertos. Elija entre las opciones que se presentan a continuación:

◇ Visite nuestro sitio web en www.troybilt.com



Ver Vídeos demostrativos de instalación de mantenimiento y piezas en www.troybilt.com/Tutorials

◇ Llame a un representante de Asistencia al Cliente al (800) 828-5500 ó (330) 558-7220

◇ Escribanos a Troy-Bilt LLC • P.O. Box 361131 • Cleveland, OH • 44136-0019



ADVERTENCIA: La presencia de este símbolo indica que se trata de instrucciones importantes de seguridad que se deben respetar para evitar poner en peligro su seguridad personal y/o material y la de otras personas. Lea y siga todas las instrucciones de este manual antes de poner en funcionamiento esta máquina. Si no respeta estas instrucciones puede provocar lesiones personales. Cuando vea este símbolo. **¡TENGA EN CUENTAS LAS ADVERTENCIAS!**

PROPOSICIÓN 65 DE CALIFORNIA



ADVERTENCIA: El escape del motor de este producto, algunos de sus componentes y algunos componentes del vehículo contienen o liberan sustancias químicas que el estado de California considera que pueden producir cáncer, defectos de nacimiento u otros problemas reproductivos.



ADVERTENCIA: Los bornes de la batería y los accesorios afines contienen plomo y compuestos de plomo, sustancias químicas que según lo establecido por el Estado de California causan cáncer y daños en el sistema reproductivo. *Lávese las manos después de estar en contacto con estos componentes.*



PELIGRO: Esta máquina está diseñada para ser utilizada respetando las normas de seguridad contenidas en este manual. Al igual que con cualquier tipo de equipo motorizado, un descuido o error por parte del operador puede producir lesiones graves. Esta máquina es capaz de amputar manos y pies y de arrojar objetos con gran fuerza. De no respetar las instrucciones de seguridad siguientes se pueden producir lesiones graves o la muerte.

Funcionamiento General

1. Lea, entienda y cumpla todas las instrucciones incluidas en la máquina y en los manuales antes de intentar montarla y utilizarla. Guarde este manual en un lugar seguro para consultas futuras y periódicas, así como para solicitar repuestos.
2. Familiarícese con todos los controles y con el uso adecuado de los mismos. Sepa cómo detener la máquina y desactivar los controles rápidamente.
3. No permita nunca que los niños menores de 14 años utilicen esta máquina. Los niños de 14 años en adelante deben leer y entender las instrucciones de operación y normas de seguridad contenidas en este manual, y en la máquina y deben ser entrenados y supervisados por un adulto.
4. Nunca permita que los adultos operen esta máquina sin recibir antes la instrucción apropiada.
5. Para ayudar a evitar el contacto con las cuchillas o una lesión por algún objeto que sea arrojado, mantenga a los observadores, a los ayudantes, niños y mascotas alejados al menos 25 metros de la máquina mientras está en funcionamiento. Detenga la máquina si alguien se acerca.
6. Inspeccione minuciosamente el área donde utilizará el equipo. Retire todas las piedras, palos, cables, huesos, juguetes y otros objetos extraños que podrían ser recogidos y arrojados por la acción de las cuchillas. Los objetos arrojados por la máquina pueden producir lesiones graves.
7. Planifique el patrón de corte del césped que ha de seguir para evitar la descarga de material hacia los caminos, las veredas, los observadores, etc. Evite además descargar material contra las paredes u obstrucciones que podrían hacer que el material descargado rebote contra el operador.
8. Para protegerse los ojos utilice siempre anteojos o antiparras de seguridad mientras opera la máquina o mientras la ajusta o repara. Los objetos arrojados que rebotan pueden producir lesiones oculares graves.
9. Utilice zapatos de trabajo resistentes, de suela fuerte, así como pantalones y camisas ajustados. Las prendas sueltas o las alhajas pueden quedar atrapadas en las piezas móviles. Nunca opere la máquina descalzo o con sandalias.

10. Esté atento a la cortadora y a la dirección de la descarga de los aditamentos y no apunte a nadie. Nunca haga funcionar la cortadora de césped sin que estén colocados la cubierta de descarga o todo el colector de recortes de césped.
11. No ponga las manos o los pies cerca de las piezas rotatorias o debajo de la plataforma de corte. El contacto con las cuchillas puede producir la amputación de manos y pies.
12. Una cubierta de descarga faltante o dañada puede provocar el contacto con la cuchilla o lesiones por objetos arrojados.
13. Detenga la(s) cuchilla(s) cuando atraviere senderos, sendas o caminos de grava y cuando no esté cortando el césped.
14. Vigile el tránsito vehicular cuando esté operando cerca de o en cruces de caminos. Esta máquina no debe utilizarse en la vía pública.
15. No opere esta máquina bajo los efectos del alcohol o de drogas.
16. Corte el césped solamente con luz de día o con una buena luz artificial.
17. Nunca transporte pasajeros.
18. Retroceda lentamente. Siempre mire hacia abajo y hacia atrás antes y mientras retrocede, para evitar accidentes. Esté atento y vigile la función del sistema de seguridad que corta la energía de las cuchillas al conducir marcha atrás. Si no funciona correctamente, póngase en contacto con un distribuidor autorizado de para que inspeccionen y reparen el sistema de seguridad.
19. Reduzca la velocidad antes de dar la vuelta. Opere la máquina suavemente. Evite la operación errática y la velocidad excesiva.
20. Desenganche la(s) cuchilla(s), coloque el freno de estacionamiento, detenga el motor y espere hasta que la(s) cuchilla(s) se detenga(n) por completo antes de retirar el colector de césped, vaciar los recortes, destapar el canal, retirar restos de césped o desechos, o hacer cualquier ajuste.
21. Nunca deje la máquina en funcionamiento sin vigilancia. Apague siempre las cuchillas, coloque las palancas de control de transmisión en neutral, coloque el freno de mano, detenga el motor y retire la llave antes de bajarse del vehículo.
22. Tenga sumo cuidado al cargar o descargar la máquina en un remolque o camión. Esta unidad no debe conducirse en ascenso o descenso de rampas, porque podría ladearse y provocar lesiones personales graves. En las rampas la máquina se debe empujar manualmente para cargarla o descargarla correctamente.
23. El silenciador y el motor se calientan y pueden causar quemaduras. No los toque.
24. Revise el espacio libre por encima de la cabeza antes de conducir debajo de las ramas bajas de árboles, cables, entradas de puertas, etc. en los cuales el operador podría atorarse o ser tirado fuera de la máquina, lo cual podría resultar en lesiones graves.
25. Desenganche todos los embragues de los accesorios, coloque el freno de mano en posición 'on' y mueva las palancas de control de transmisión totalmente hacia afuera a la posición neutral antes de intentar arrancar la máquina.
26. La máquina está diseñada para cortar césped residencial normal, con una altura no mayor a 10 pulgadas. No intente cortar césped demasiado crecido, seco (por ej., pastura) ni pilas de hojas secas. El césped y las hojas secas pueden entrar en contacto con el escape del motor y/o acumularse en la plataforma de la cortadora de césped, convirtiéndose en un peligro de incendio.
27. Utilice solamente accesorios y aditamentos aprobados para esta máquina por el fabricante de la misma. Lea, comprenda y siga todas las instrucciones proporcionadas con los accesorios o aditamentos aprobados.
28. Los datos estadísticos muestran que los operadores de 60 años en adelante están involucrados en un alto porcentaje de lesiones relacionadas con tractores cortacésped. Estos operadores deben evaluar su capacidad para operar el tractor cortacésped en forma suficientemente segura para protegerse ellos mismos y a los demás contra lesiones graves.
29. Si se presentan situaciones que no están previstas en este manual, tenga cuidado y use el sentido común. Si necesita ayuda, póngase en contacto con su representante de asistencia al cliente.

Funcionamiento en pendientes

Las pendientes son un factor importante relacionado con accidentes por derrape y vuelcos que pueden producir lesiones graves e incluso la muerte. La operación en pendiente requiere mayor precaución. Si no puede retroceder en la pendiente o si no se siente seguro, no realice ninguna operación de corte.

Para su seguridad, use el indicador de pendientes que se incluye como parte de este manual para medir la pendiente antes de operar la máquina en una zona inclinada. Si la pendiente es mayor de 15 grados según el medidor, no opere esta máquina en ese sector, pues podría causar lesiones graves.

Haga lo siguiente:

1. Corte de forma transversal a las pendiente, no hacia arriba ni hacia abajo. Tenga mucho cuidado cuando al cambiar de dirección en pendiente.
2. Esté atento a los hoyos, surcos, baches, rocas u otros objetos ocultos. El terreno desnivelado puede voltear la máquina. El césped alto puede ocultar obstáculos.
3. Vaya a baja velocidad. Elija una velocidad lo suficientemente baja, de modo que no tenga que detenerse mientras está en la pendiente. Evite arrancar o detenerse en una pendiente. Si los neumáticos no pueden mantener la tracción, desenganche las cuchillas y avance lentamente y con cuidado bajando la pendiente.
4. Siga las recomendaciones del fabricante para los pesos o contrapesos de las ruedas, para mejorar la estabilidad de la máquina.
5. Tenga especial cuidado con los colectores de césped u otros aditamentos. Los mismos pueden modificar la estabilidad de la máquina.
6. Haga que todos los movimientos en las pendientes sean lentos y graduales. No cambie repentinamente la velocidad ni la dirección. La aceleración o la reducción repentina de velocidad puede hacer que el frente de la máquina se levante y dé una voltereta hacia atrás, lo que podría producir lesiones graves.

No haga lo siguiente:

1. No gire en pendiente a menos que sea necesario; si lo hace, gire lentamente cuesta arriba y tenga sumo cuidado al girar.
2. No corte el césped cerca de barrancas, zanjas o terraplenes. La cortadora de césped puede volcarse repentinamente si una de las ruedas está sobre el borde de un acantilado, zanja o si un borde se desmorona.
3. No intente estabilizar la máquina poniendo el pie en el suelo.
4. No utilice un colector de césped en pendientes empinadas.
5. No pise el césped húmedo. Una menor tracción podría causar derrapes.
6. No remolque cargas pesadas detrás de los aditamentos (carrito de basura cargado, podadora de rodillos, etc) en pendientes mayores de 5 grados. Cuando se desplaza pendiente abajo, el peso adicional tiende a empujar el tractor y puede hacer que se pierda el control del mismo (por ejemplo, el tractor se puede acelerar, se reduce la capacidad para frenar y maniobrar, los accesorios pueden plegarse como un cortaplumas y hacer que el tractor vuelque).

Niños

1. Pueden ocurrir accidentes trágicos si el operador no está atento a la presencia de niños. Por lo general, los niños se sienten atraídos por este tipo de máquinas y su funcionamiento. No entienden los riesgos ni los peligros. Nunca suponga que los niños permanecerán en el mismo lugar donde los vio por última vez.
 - a. Mantenga a los niños fuera del área de trabajo y bajo estricta vigilancia de un adulto responsable además del propio operador.
 - b. Esté alerta y apague la máquina si un niño ingresa al área.
 - c. **Para evitar accidentes al retroceder**, siempre mire hacia atrás y abajo por si hay niños.
 - d. Nunca transporte niños, aún con las cuchillas apagadas. Podrían caerse y resultar gravemente heridos o interferir con la operación segura de la máquina.
 - e. Tenga extrema precaución cuando se aproxime a esquinas ciegas, portales, arbustos, árboles u otros objetos que puedan impedirle ver a un niño que se cruce en el recorrido de la máquina.
 - f. Mantenga a los niños alejados de los motores en marcha o calientes. Pueden sufrir quemaduras con un silenciador caliente.
 - g. Retire la llave cuando deje la máquina sin vigilancia, evite que una persona sin autorización la maneje.
2. No permita nunca que los niños menores de 14 años utilicen esta máquina. Los niños de 14 años en adelante deben leer y entender las instrucciones de operación y normas de seguridad contenidas en este manual, y en la máquina y deben ser entrenados y supervisados por un adulto.

Remolque

1. Remolque únicamente con una máquina que cuente con un enganche diseñado para remolcar. No acople equipo remolcado excepto en el punto de enganche.
2. Siga las recomendaciones del fabricante en lo que respecta a los límites de peso de los equipos a remolcar y al remolque en pendientes.
3. Nunca permita la presencia de niños u otras personas dentro o sobre los equipos remolcados.
4. En las pendientes, el peso del equipo remolcado puede causar pérdida de tracción y pérdida de control de la máquina.
5. Desplácese lentamente y deje distancia adicional para frenado.
6. No cambie a transmisión neutral para descender.

Servicio

Manejo seguro de la gasolina:

1. Para evitar lesiones personales o daños materiales tenga mucho cuidado cuando trabaje con gasolina. **La gasolina es sumamente inflamable y sus vapores pueden causar explosiones.** Se puede lesionar gravemente si derrama gasolina sobre usted o sobre la ropa, ya que ésta se puede incendiar. Lávese la piel y cámbiese de ropa de inmediato.
 - a. Utilice sólo los recipientes para gasolina autorizados.
 - b. Nunca llene los recipientes en el interior de un vehículo o camión o caja de remolque con recubrimiento plástico. Coloque siempre los recipientes en el piso y lejos del vehículo antes de realizar la carga.
 - c. Cuando sea factible, retire el equipo a gasolina del camión o remolque y llénelo en el suelo. Si esto no es posible, llene el equipo en un remolque con un contenedor portátil, en vez de con una boquilla dispensadora de gasolina.
 - d. Mantenga la boquilla de llenado en contacto con el borde del depósito de combustible o con la abertura del recipiente en todo momento, hasta terminar la carga. No utilice un dispositivo de boquilla de apertura/cierre.
 - e. Apague todos los cigarrillos, cigarras, pipas y otras fuentes de combustión.
 - f. Nunca cargue combustible en la máquina en un espacio cerrado.
 - g. Nunca saque la tapa de la gasolina ni agregue combustible mientras el motor está caliente o en marcha. Deje que el motor se enfríe por lo menos dos minutos antes de volver a cargar combustible.
 - h. Nunca llene en exceso el depósito de combustible. Llene el tanque no más de ½ pulgada por debajo de la base del cuello del tapón de carga, para dejar espacio para la expansión del combustible.
 - i. Vuelva a colocar la tapa de la gasolina y ajústela bien.
 - j. Limpie el combustible que se haya derramado sobre el motor y el equipo. Traslade la máquina a otra zona. Espere 5 minutos antes de encender el motor.

- k. Para reducir el riesgo de incendio, mantenga la máquina limpia de pasto, hojas y de acumulación de otros residuos. Limpie los derrames de aceite o combustible y saque todos los residuos embebidos en combustible.
- l. Nunca guarde la máquina o el recipiente de combustible en un espacio cerrado donde haya fuego, chispas o luz piloto, como por ejemplo de calentadores de agua, calefactores de ambientes, hornos, secadores de ropa u otros aparatos a gas.
- m. Deje que la máquina se enfríe cinco minutos por lo menos antes de guardarla.

Servicio general

1. Nunca encienda el motor en espacios cerrados o en una zona con poca ventilación. El escape del motor contiene monóxido de carbono, un gas inodoro y letal.
2. Antes de limpiar, reparar o inspeccionar la máquina, compruebe que la(s) cuchilla(s) y todas las partes en movimiento se hayan detenido. Desconecte el cable de la bujía y póngalo haciendo masa contra el motor para evitar que se encienda accidentalmente.
3. Revise periódicamente para asegurarse que las cuchillas se detengan por completo en aproximadamente cinco (5) segundos después de accionar el control de desenganche de las mismas. Si las cuchillas no se detienen dentro de este lapso de tiempo, su unidad deberá ser reparada por su distribuidor de servicio autorizado.
4. Controle periódicamente el funcionamiento del sistema de bloqueo de seguridad, como se describe más adelante en este manual. Si el sistema de bloqueo de seguridad no funciona correctamente, pídale a su distribuidor autorizado que le haga un service profesional.
5. Revise los pernos de montaje de la(s) cuchilla(s) y del motor a intervalos frecuentes para verificar que estén bien apretados. Además, inspeccione visualmente la(s) cuchilla(s) en busca de daños (por ejemplo, desgaste excesivo, abolladuras, rajaduras, etc.). Reemplace la(s) cuchilla(s) únicamente con las cuchillas del fabricante del equipo original (O.E.M.) listadas en este manual. "El uso de piezas que no cumplen con las especificaciones del equipo original podría resultar en un rendimiento incorrecto y además poner en riesgo la seguridad".
6. Las cuchillas de las podadoras son muy afiladas. Envuelva la cuchilla o utilice guantes y extreme las precauciones cuando efectúe mantenimiento.
7. Mantenga todos los pernos, tuercas y tornillos bien ajustados para asegurarse de que la máquina se encuentra en condiciones seguras de operación.
8. Nunca modifique el sistema de bloqueo de seguridad ni otros mecanismos de seguridad. Controle periódicamente que funcionen correctamente.
9. Después de golpear con algún objeto extraño, detenga el motor, desconecte el cable de la bujía y conecte el motor a masa. Inspeccione minuciosamente la máquina para ver si está dañada. Repare el daño antes de arrancar y utilizar la máquina.
10. Nunca trate de hacer ajustes o reparaciones a la máquina mientras el motor está en marcha.

11. Los componentes del colector de césped y la cubierta de descarga, están sujetos a desgaste y daños que podrían dejar expuestas partes móviles o permitir que se arrojen objetos. Para proteger su seguridad, verifique frecuentemente todos los componentes y reemplácelos inmediatamente sólo con piezas del fabricante del equipo original, listados en este manual. "El uso de piezas que no cumplen con las especificaciones del equipo original podría resultar en un rendimiento incorrecto y además poner en riesgo la seguridad".
12. No cambie la configuración del regulador del motor ni lo opere a sobrevelocidad. El regulador del motor controla la velocidad máxima de funcionamiento seguro del motor.
13. Mantenga o reemplace las etiquetas de seguridad e instrucciones según sea necesario.
14. Respete las normas referentes a la disposición correcta y las reglamentaciones sobre gasolina, aceite, etc. para proteger el medio ambiente.
15. Según la Comisión de Seguridad de Productos para el Consumidor de los Estados Unidos (CPSC) y la Agencia de Protección Ambiental de los Estados Unidos (EPA), este producto tiene una *vida útil media* de siete (7) años ó 270 horas de funcionamiento. Al finalizar la *vida útil media*, adquiera una máquina nueva o haga inspeccionar anualmente ésta por un distribuidor de servicio autorizado para cerciorarse de que todos los sistemas mecánicos y de seguridad funcionan correctamente y no tienen excesivo desgaste. Si no lo hace, pueden producirse accidentes, lesiones o muerte.

No modifique el motor

Para evitar lesiones graves o la muerte, no modifique el motor bajo ninguna circunstancia. Si cambia la configuración del regulador del motor el motor puede descontrolarse y operar a velocidades peligrosas. Nunca modifique la configuración de fábrica del regulador del motor.

Aviso referido a emisiones

Los motores que están certificados y cumplen con las regulaciones de emisiones federales EPA y de California para SORE (Equipos pequeños todo terreno) están certificados para operar con gasolina común sin plomo y pueden incluir los siguientes sistemas de control de emisiones: Modificación de motor (EM) y catalizador de tres vías (TWC) si están equipados de esa manera.

Amortiguador de chispas



ADVERTENCIA: Esta máquina está equipada con un motor de combustión interno y no debe ser utilizada en o cerca de un terreno agreste cubierto por bosque, malezas o hierba excepto que el sistema de escape del motor esté equipado con un amortiguador de chispas que cumpla con las leyes locales o estatales correspondientes (en caso de existir).

Si se utiliza un amortiguador de chispas el operador lo debe mantener en condiciones de uso adecuadas. En el Estado de California las medidas anteriormente mencionadas son exigidas por ley (Artículo 4442 del Código de Recursos Públicos de California). Es posible que existan leyes similares en otros estados. Las leyes federales se aplican en territorios federales. Puede conseguir el amortiguador de chispas para el silenciador a través de su distribuidor autorizado de motores o poniéndose en contacto con el departamento de servicios, P.O. Box 361131 Cleveland, Ohio 44136-0019.

















ADVERTENCIA: Su responsabilidad—Restrinja el uso de esta máquina motorizada a las personas que lean, comprendan y respeten las advertencias e instrucciones que figuran en este manual y en la máquina.

GUARDE ESTAS INSTRUCCIONES

Símbolos de seguridad

En esta página se presentan y describen los símbolos de seguridad que pueden aparecer en este producto. Lea, entienda y cumpla todas las instrucciones incluidas en la máquina antes de intentar armarla y utilizarla.

Symbol	Description
	LEA LOS MANUALES DEL OPERADOR Lea, entienda y cumpla todas las instrucciones incluidas en los manuales antes de intentar armar la unidad y utilizarla.
	PELIGRO - GIRANDO HOJAS Nunca lleve pasajeros. Nunca transporte niños, aún con la cuchilla apagada.
	ADVERTENCIA - CUCHILLAS GIRATORIAS No se recomienda cortar el césped en marcha atrás.
	ADVERTENCIA - CUCHILLAS GIRATORIAS No ponga las manos ni los pies cerca de las piezas rotatorias ni debajo de la plataforma de corte. El contacto con la(s) cuchilla(s) puede resultar en la amputación de una mano o de un pie.SFib
	PELIGRO - GIRANDO HOJAS Mira hacia abajo y hacia atrás antes y mientras retrocede, para evitar accidentes en off.
	ADVERTENCIA - OBJETOS ARROJADOS Esta máquina puede levantar y arrojar objetos lo cual puede causar lesiones personales graves.
	DISPOSITIVOS DE SEGURIDAD - PELIGRO Mantenga los dispositivos de seguridad (guardas, pantallas, interruptores, etc) en su lugar y funcionando.
	ADVERTENCIA — OBSERVADORES Mantenga a los observadores, ayudantes, mascotas y niños por lo menos a 75 pies (23 m.) de la máquina mientras está en funcionamiento.
	ADVERTENCIA - EN PENDIENTES No opere esta máquina en una pendiente mayor de 15 grados. No corte el césped en pendientes. Cortar hacia arriba y abajo de las pendientes no mayores de 15 grados. Evite giros repentinos. Utilice la velocidad baja. Si la máquina se va cuesta arriba, deje de cuchillas y retroceder lentamente.
	ADVERTENCIA - SUPERFICIE CALIENTE Las partes del motor, especialmente el silenciador, se vuelven extremadamente calientes durante el funcionamiento. Permita motor y silenciador para ponerse frío antes de tocar.
	PELIGRO - CUCHILLAS GIRATORIAS Para reducir el riesgo de lesiones, mantenga las manos y los pies alejados. No opere esta máquina a menos que se encuentre instalada(o) en su lugar la cubierta de descarga o el colector de pasto. Si alguna pieza está dañada, reemplácela de inmediato.
	ADVERTENCIA - PELIGRO DE INCENDIO Deje que la máquina se enfríe antes de repostar o almacenar.
	ADVERTENCIA - PELIGRO DE INCENDIO No conduzca a través de montones de hojas secas o pasto alto.
	ADVERTENCIA - PELIGRO DE INCENDIO No permita que se acumulen desechos. La acumulación de residuos puede dar lugar a un incendio.

Pendiente de Calibre

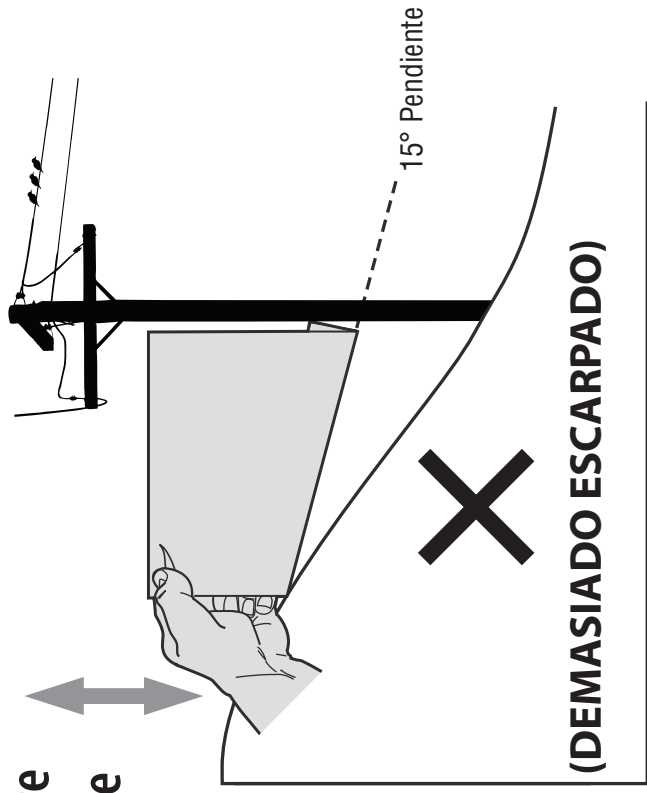


Figura 2

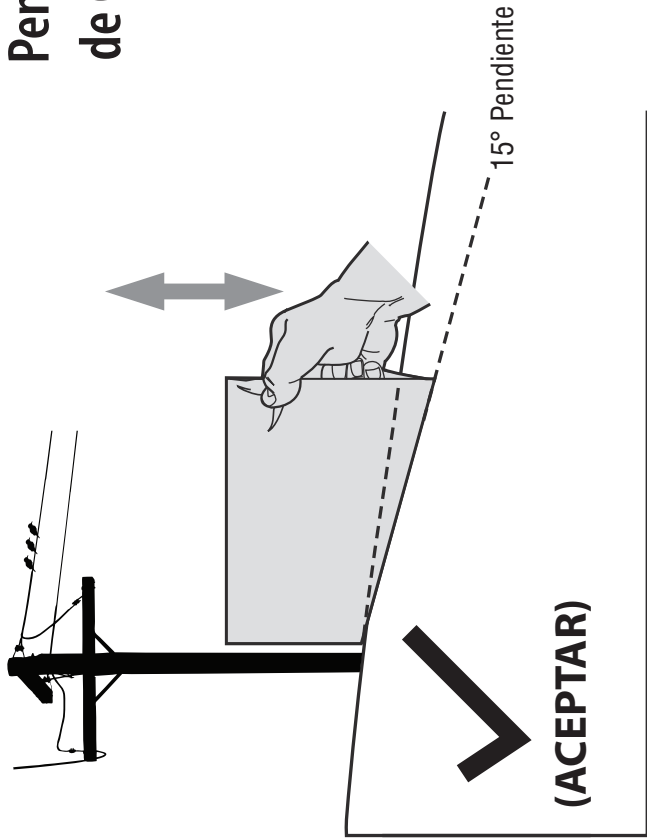


Figura 1

15° línea discontinua

USO DE ESTE PENDIENTE DE CALIBRE PARA DETERMINAR SI UNA PENDIENTE ES DEMASIADO ESCARPADO PARA UNA OPERACIÓN SEGURA!

Para comprobar la pendiente, haga lo siguiente:

1. Borrar esta página y doble a lo largo de la línea discontinua.
2. Localizar un objeto vertical sobre o detrás de la pendiente (un poste, un edificio, una valla, un árbol, etc.)
3. Alinee cada lado de pendiente de calibre con el objeto vertical (consultar Figura 1 and Figura 2).
4. Ajuste el pendiente de calibre arriba o hacia abajo hasta los toques esquina izquierda el pendiente (consultar Figura 1 and Figura 2).
5. Si hay un espacio por debajo de la pendiente de calibre, el pendiente es demasiado escarpa por operación segura (consultar Figura 2 above).



ADVERTENCIA! Las pendientes son un factor importante relacionado con un vuelco y renovación de los accidentes que pueden provocar lesiones graves o la muerte. No utilice la máquina en pendientes de más de 15 grados. Todos pendientes requiere mayor precaución. Si no puede retroceder en la pendiente o si se siente inseguro en ella, no la recorte. Siempre corte el césped en toda la superficie de la cuesta. Nunca arriba y abajo las pendientes.

Contenido del cajón

- Un Tractor RZTL
- Un tubo de drenaje de aceite
- Un acoplador de manguera para lavado de plataforma
- Un Manual de operación del tractor
- Un Manual de operación del motor

NOTA: Este manual de operación trata distintos modelos. Las características del tractor pueden variar según los modelos. No todas las características en este manual se aplican a todos los modelos de tractor y la máquina que se ilustra aquí puede diferir de la suya.

Preparación del tractor

Movimiento manual del tractor

1. Enganche las varillas de derivación de la transmisión, una a cada lado del tractor, para mover el tractor manualmente sin ponerlo en marcha. Las varillas de derivación de la transmisión están ubicadas en la parte trasera del tractor, justo en el interior de las ruedas traseras. Enganche las varillas de derivación tirando de cada una hacia afuera (a) y hacia la derecha (b) para trabarlas en su lugar. Vea la Figura 3-1.

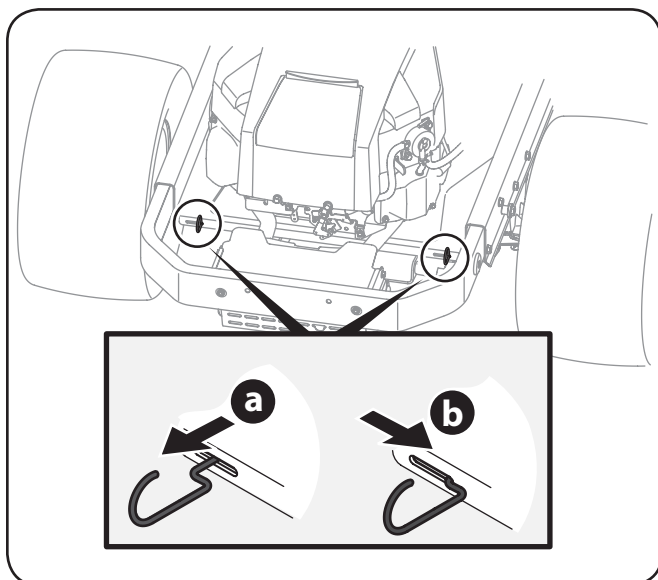


Figura 3-1

2. Después de mover el tractor, desenganche las varillas de derivación invirtiendo los pasos a y b. Vea la Figura 3-1.
3. Retire el adaptador del pico del sistema de lavado de la plataforma de la bolsa manual y guárdelo para uso futuro.

Instale el asiento del operador

Para instalar el asiento proceda de la siguiente manera:

NOTA: El asiento es enviado con el interruptor de asiento y el contenedor del asiento acoplados.

1. Corte cualquiera de las tiras que fijan el conjunto del asiento y las palancas de control de la transmisión al tractor. Quite cualquier material de empaque.

NOTA: Tenga cuidado para no cortar el cableado que conecta el asiento al interruptor del asiento.

2. Quite los dos tornillos con reborde y las tuercas de seguridad con brida del contenedor del asiento tal como se muestra en la Figura 3-2.

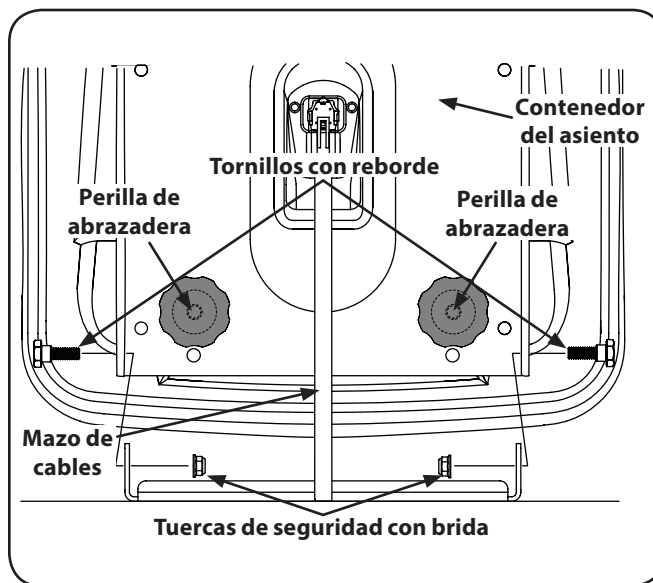


Figura 3-2

3. Gire el asiento hasta la posición deseada y asegúrelo en su lugar con los tornillos de reborde y las tuercas de seguridad con brida que extrajo antes. Tenga cuidado de no doblar o dañar el cableado mientras instala el asiento. Vea la Figura 3-2.

NOTA: Asegúrese de empujar el cable excedente del cableado para que ingrese en el orificio de la caja del asiento antes de continuar.

Posición palancas de control

Las palancas de control del tractor se bajan para el embarque. Los tornillos hexagonales y las arandelas planas que normalmente fijan las palancas de control en su posición de trabajo se encuentran en un paquete de hardware dentro de su bolsa manual. Las palancas de control debe ser reposicionado para operar el tractor. Para cambiar la posición de las palancas de mando para la operación, proceda de la siguiente manera:

1. Quite los tornillos de cabeza hexagonal y las arandelas planas del paquete de hardware en el bolso manual.
2. Levante y gire esa palanca de control hacia arriba hasta que el orificio ranurado en el soporte de la palanca se alinea con uno de los orificios del soporte de pivote. Vea la Figura 3-3.

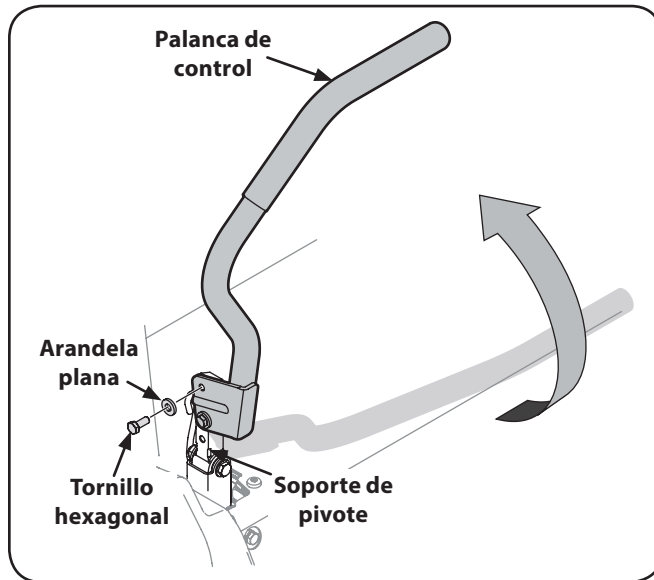


Figura 3-3

3. Deslice la arandela plana en el tornillo hexagonal. Desde el exterior, insertar el tornillo hexagonal con arandela a través de la ranura de la palanca de control y el orificio de la ménsula de pivote. Vea la Figura 3-3. El uso de un 1/2" llave apriete el tornillo, pero no los apriete completamente.
4. Tenga en cuenta la posición relativa de la palanca de control para el soporte de pivote, y después repetir los pasos anteriores para volver a colocar la palanca de control en aproximadamente la misma posición.



PRECAUCIÓN: Apriete los tornillos hacia abajo con fuerza para evitar que las palancas de control se salga de su posición.

5. Consulte "Ajuste de las palancas de control" en el Mantenimiento y Ajustes para obtener instrucciones sobre el ajuste final de las palancas.

Baje el deflector del canal de descarga de la plataforma



¡ADVERTENCIA! Nunca opere la plataforma de la cortadora sin el deflector de descarga instalado y en posición baja.

1. The chute is shipped attached and with a stop bracket holding the chute upright. The stop bracket must be removed prior to operating the tractor.
2. Holding the chute deflector fully upward, remove the stop bracket by grasping it and rotating it clockwise. Lower the chute deflector Figura 3-4.

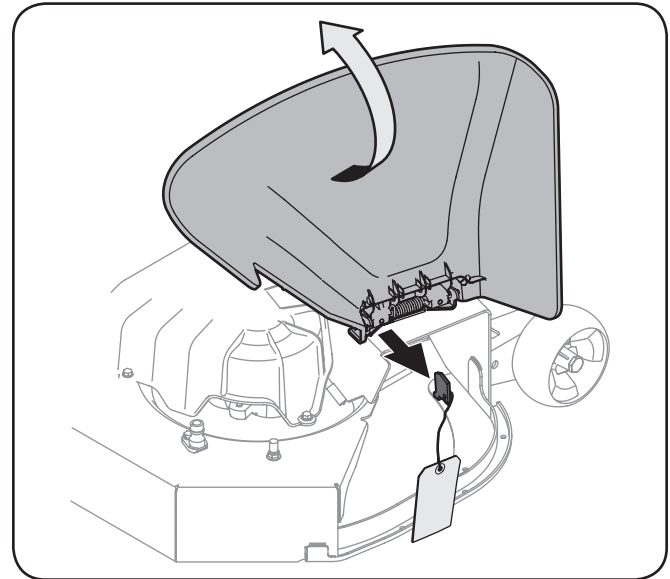


Figura 3-4

Ajuste de las ruedas de calibración frontales



¡ADVERTENCIA! Mantenga las manos y los pies lejos de la abertura de descarga de la plataforma de corte.

NOTA: Las ruedas de la plataforma son una característica anticuero cabelludo de la plataforma y no están diseñados para soportar el peso de la plataforma de corte.

Mueva el tractor en una superficie firme y nivelada, preferentemente sobre el pavimento, y realice lo siguiente:

1. Compruebe la presión de los neumáticos, asegúrese de que la presión es correcta e igual en todas las llantas.
2. Asegúrese de que la cubierta está nivelada, tanto de adelante hacia atrás y de lado a lado. Consulte la sección Mantenimiento y Ajustes para la información cubierta de nivelación y las instrucciones.
3. Seleccione la posición de altura de la plataforma de corte colocando la palanca de elevación de la plataforma en el ajuste de altura de corte normalmente deseada.
4. Controle si las ruedas de contacto o juego excesivo con la superficie a continuación. Las ruedas de la plataforma deben tener entre 1/4" y 1/2" de espacio libre por encima del suelo. Siga estos pasos para ajustar las ruedas:

- a. Retire la tuerca de seguridad que fija uno de los tornillos de pivote de la rueda de calibre delanteros a la cubierta. Retire la rueda de calibración y el tornillo de hombro. Vea la Figura 6-6.

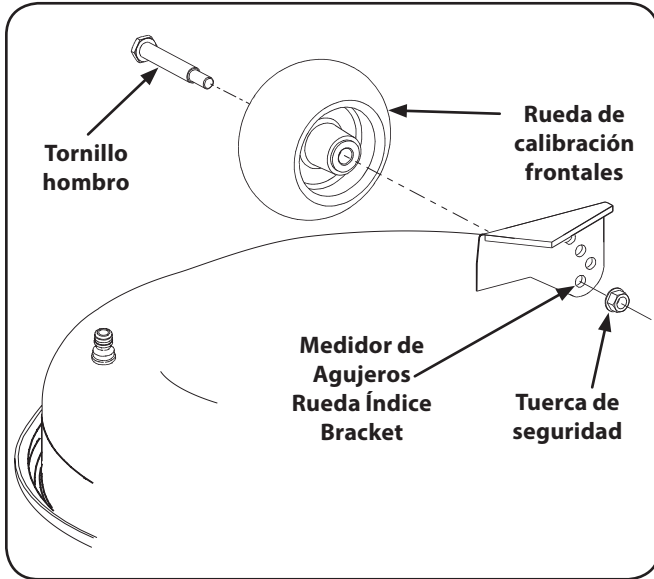


Figura 3-5

- b. Inserte el tornillo de pivote en los uno de los cuatro agujeros de índice en el soporte de la rueda delantera de calibre que le dará la rueda calibradora un "espacio libre $\frac{1}{4}$ a $\frac{1}{2}$ " con el suelo.
- c. Nota del orificio de posicionamiento de la rueda simplemente ajustada, y ajustar la otra rueda delantera de calibre en el orificio respectivo índice de otro soporte de la rueda delantera de calibre.

NOTA: Consulte Ajuste de la cubierta en la sección de este manual de mantenimiento y ajustes para obtener instrucciones detalladas sobre diferentes ajustes de la plataforma.

Conexión de los cables de la batería



ADVERTENCIA PROPOSICIÓN 65 DE CALIFORNIA

Los postes, los bornes y los accesorios relacionados de la batería contienen plomo y compuestos de plomo, sustancias químicas que según lo establecido por el Estado de California causan cáncer y daños en el sistema reproductivo. Lávese las manos después de estar en contacto con estos componentes.



PRECAUCIÓN: Cuando conecte los cables de la batería, conecte siempre primero el cable POSITIVO (rojo) a su borne, y a continuación el cable NEGATIVO (negro).

Por razones relacionadas con el envío, los dos cables de la batería de su equipo pueden haber sido desconectados de los bornes en fábrica. Para conectar los cables de la batería, proceda de la siguiente manera:

NOTA: El borne positivo de la batería está marcado como Pos (+). El borne negativo de la batería está marcado como Neg (-).

NOTA: Si el cable positivo de la batería ya está conectado, siga con el paso 2.

1. Retire la cubierta plástica, si es que está presente, del borne positivo de la batería y conecte el cable rojo al borne positivo de la batería (+) utilizando el perno y la tuerca hexagonal. Vea la Figura 3-6.

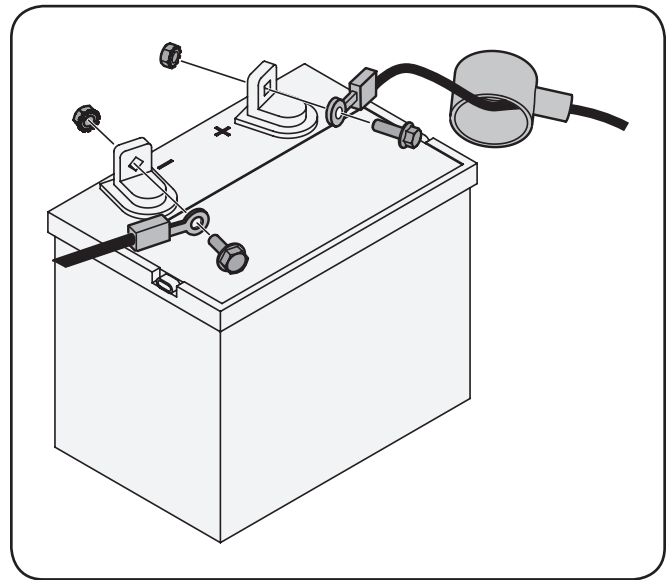


Figura 3-6

2. Retire la cubierta plástica, si es que está presente, del borne negativo de la batería y conecte el cable negro al borne negativo de la batería (-) utilizando el perno y la tuerca hexagonal. Vea la Figura 3-6.
3. Coloque la funda de goma de color rojo por encima del borne positivo de la batería para protegerlo contra la corrosión.

NOTA: Si la batería se pone en funcionamiento después de la fecha indicada en su parte superior o al costado de la misma, cárguela siguiendo las instrucciones de la sección Mantenimiento de su Manual de operación antes de usar el tractor.

Ajuste del asiento

Para ajustar la posición del asiento, gírelo hacia adelante y ubique la perilla de abrazadera en el frente y a la izquierda del contenedor del asiento. Consulte la Figura 3-2.

Gire la perilla de abrazadera hacia la izquierda y extráigala, deslice el asiento hacia adelante o atrás y vuelva a insertar dicha perilla en una de las cuatro posiciones disponibles del contenedor del asiento y dentro del asiento, luego ajuste bien. Asegúrese de que el asiento esté fijo en su posición antes de operar el tractor. Vea la Figura 3-7.

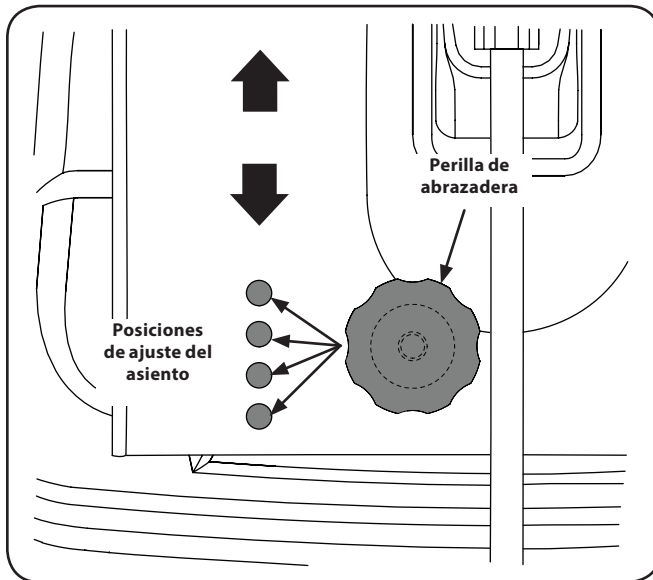
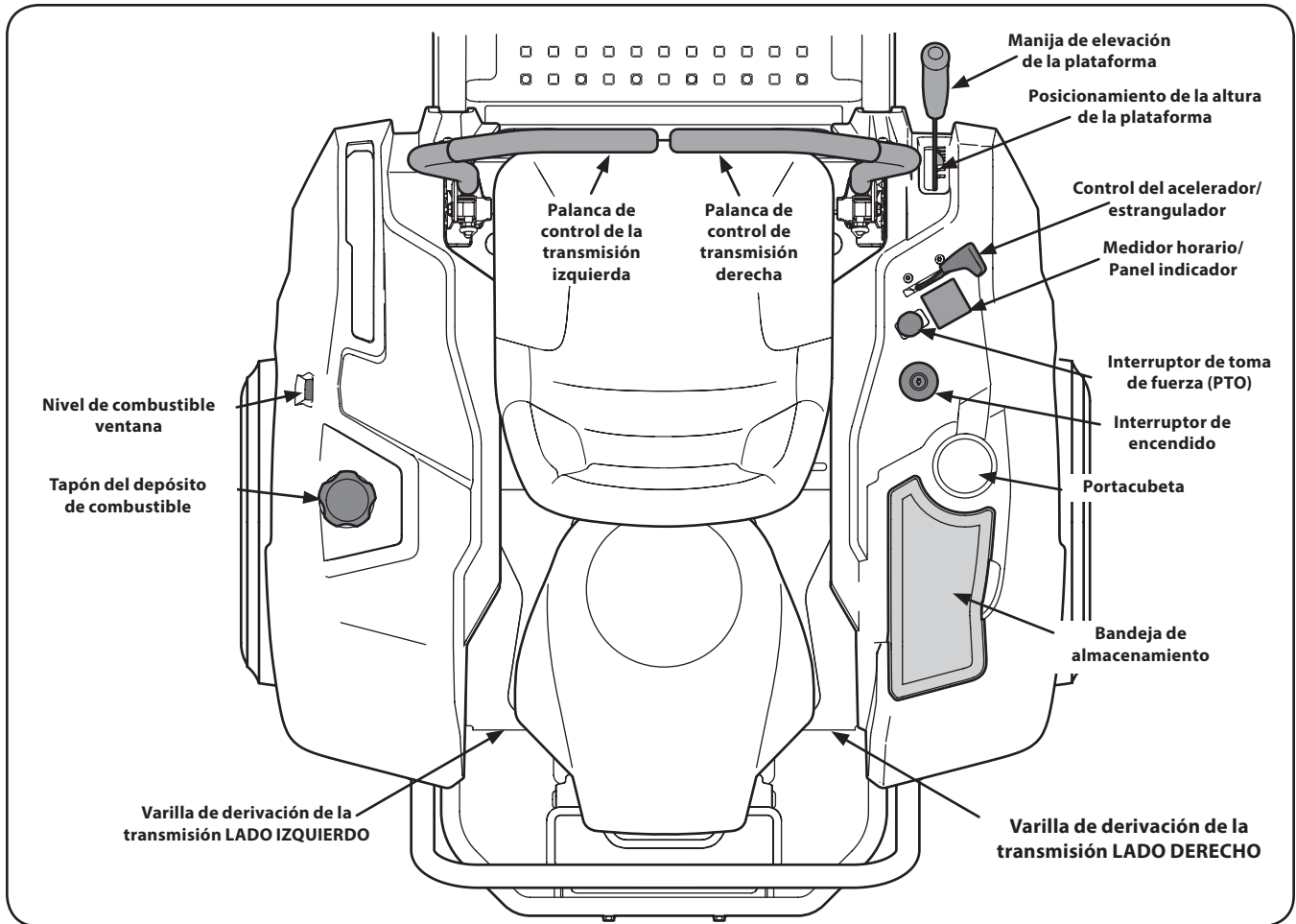


Figura 3-7

Llenado de combustible

Llene el depósito (situado al costado del motor, del lado izquierdo de la cortadora de césped) con gasolina normal sin plomo, de grado adecuado. Cuando el depósito de combustible llegue a la altura de una pulgada de la parte superior del depósito, deténgase, NO LLENE EL DEPÓSITO EN EXCESO. Debe quedar espacio para la expansión de la gasolina.



NOTA: Este manual de operación trata distintos modelos. Las características del tractor pueden variar según los modelos. No todas las características en este manual se aplican a todos los modelos de tractor y la máquina que se ilustra aquí puede diferir de la suya.

NOTA: Las referencias a IZQUIERDA, DERECHA, ADELANTE Y ATRÁS indican esa posición desde el asiento del operador en el tractor, mirando hacia adelante.

Palancas de control de transmisión LADO DERECHO y LADO IZQUIERDO

Las palancas de control del LADO DERECHO y del LADO IZQUIERDO se encuentran a cada lado del asiento del operador. Estas palancas abisagradas giran hacia afuera, hacia el espacio abierto, para permitir al operador sentarse en el asiento del tractor o descender del mismo. Las palancas deben estar totalmente abiertas y en posición neutra para arrancar el motor del tractor. Cuando las palancas están completamente hacia afuera, también se activa el freno de mano.

Cada palanca controla la transmisión respectiva del lado derecho o del lado izquierdo. En consecuencia, estas palancas controlan todos los movimientos del tractor. La conducción del tractor y la realización de maniobras con estas palancas de control difieren mucho de las funciones respectivas de los tractores convencionales, y es necesario practicar para poder dominar las mismas. Consulte la Sección Funcionamiento para obtener instrucciones sobre el uso de las palancas de control.

Posicionamiento de la altura de la plataforma

El posicionamiento de la altura de la plataforma consiste en ocho muescas de posición ubicadas en la parte delantera/derecha de la consola. Cada muesca corresponde a $\frac{1}{2}$ " de variación en la posición de la altura de la plataforma desde 1- $\frac{1}{2}$ " en la muesca más baja hasta 4" en la muesca más alta.

Manija de elevación de la plataforma

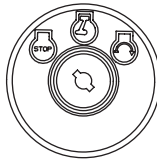
La manija de elevación de la plataforma se encuentra en la parte delantera/derecha de la consola, y se utiliza para levantar y bajar la plataforma de la cortadora de césped.

Tire de la manija hacia la izquierda para sacarla de la muesca y empuje hacia abajo para bajar la plataforma o tire hacia arriba para levantarla. Cuando alcance la altura deseada, mueva la manija de elevación hacia la derecha para que encaje totalmente en la muesca de posicionamiento.



Interruptor de encendido

El interruptor de encendido está ubicado en la consola del lado derecho, hacia la parte posterior del interruptor de la toma de fuerza (PTO). El interruptor de encendido tiene tres posiciones, según se indica a continuación:



STOP (parada) — Se apagan el motor y el sistema eléctrico.

RUN (funcionamiento) — Se activa el sistema eléctrico del tractor.

START (arranque) — El motor de arranque enciende el motor. Suelte la llave apenas arranca el motor.

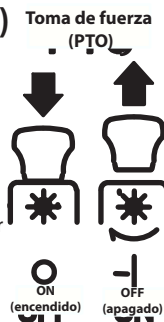
NOTA: Para evitar el arranque accidental y/o la descarga de la batería, quite la llave del interruptor de encendido cuando el tractor no se encuentra en uso.

Interruptor de la toma de fuerza (PTO)

El interruptor de la PTO está ubicado en la consola del lado derecho, a la izquierda del medidor horario/panel indicador.

El interruptor de la toma de fuerza (PTO) hace funcionar el embrague eléctrico de toma de fuerza (PTO) montado en la base del cigüeñal del motor. Tire de la perilla del interruptor hacia arriba para enganchar el embrague de la toma de fuerza (PTO), o empuje la perilla hacia abajo para desactivar el embrague.

Al arrancar el motor, el interruptor de la potencia de arranque (PTO) debe estar en posición "desenganchada".



Varillas de derivación de transmisión

Las varillas de derivación de la transmisión (una para cada transmisión, lado derecho y lado izquierdo) están ubicadas en la parte trasera del tractor, justo dentro de cada rueda trasera.

Cuando están enganchadas, las dos varillas abren una derivación dentro de las transmisiones hidrostáticas, lo cual permite empujar el tractor a mano a lo largo de distancias cortas. Consulte la sección Montaje y Configuración para obtener instrucciones sobre el uso de la función de derivación.



PRECAUCIÓN: Nunca remolque su tractor. Si se remolca el tractor con las ruedas traseras apoyadas en el suelo se pueden causar daños graves a las transmisiones.

Portacubeta

El portacubeta está ubicado en el medio de la consola del lado derecho.

Bandeja de almacenamiento

La bandeja de almacenamiento está ubicada en la parte posterior de la consola del lado derecho.

Perilla de abrazadera del asiento (no se ve)

La perilla de abrazadera del asiento está ubicada debajo del asiento, adelante a la izquierda. La perilla permite el ajuste del asiento del operador, hacia adelante o hacia atrás. Consulte la sección Montaje y Configuración para ver las instrucciones para el ajuste de la posición del asiento.

Tapón del depósito de combustible

El tapón del depósito de combustible está ubicado cerca de la parte media de la consola del lado izquierdo. Gire el tapón aproximadamente $\frac{1}{4}$ de vuelta y tire hacia arriba para extraerlo. El tapón del combustible está amarrado al tractor para impedir que se pierda. No intente retirar el tapón del tractor. Llène el depósito hasta la base del cuello de llenado, dejando un poco de espacio en el depósito para la dilatación del combustible. No llene en exceso el depósito de combustible.

Empuje el tapón hacia abajo sobre el cuello de llenado del depósito de combustible y gire $\frac{1}{4}$ de vuelta en sentido de las agujas del reloj para ajustarlo. Siempre vuelva a colocar el tapón de combustible bien ajustado en el depósito después de quitarlo.



¡ADVERTENCIA! Nunca realice la recarga de combustible en el depósito si el motor está en funcionamiento. Si el motor está caliente por haber funcionado hasta hace poco, déjelo enfriar varios minutos antes de cargar combustible. La gasolina es muy inflamable y podría salpicar el motor y causar un incendio.

Nivel de combustible ventana

La ventana de nivel de combustible está situado en el lado exterior izquierdo de la consola del lado izquierdo y muestra el nivel de combustible en el tanque de gas.

Control del acelerador/estrangulador

El control del acelerador/estrangulador está ubicado en la consola del lado derecho, a la izquierda del medidor horario/panel indicador. Cuando se lo coloca en cierta posición, se mantiene una velocidad de motor uniforme.

- Empuje la manija de control del acelerador/estrangulador hacia adelante para aumentar la velocidad del motor. El tractor está diseñado para que funcione con el control del acelerador/estrangulador en posición de velocidad rápida (aceleración máxima) cuando se conduce el tractor y se engancha la plataforma de la cortadora.
- Tire de la manija de control del acelerador/estrangulador hacia atrás para reducir la velocidad del motor.
- Cuando arranque el motor, empuje la manija de control totalmente hacia adelante en la posición "CHOKE" (estrangulador).
- Después de arrancar y calentar el motor, mueva la manija de control hacia atrás hasta que sienta que pasa el bloqueador del estrangulador.



Servicio LCD Minder y cronómetro

Cuando la llave de encendido se rota fuera de la posición de parada, pero no a la posición START, el Minder Servicio LCD y del cronómetro se display brevemente el voltaje de la batería, seguido de horas acumuladas del tractor.

NOTA: Las horas de funcionamiento del tractor se registran cada vez que la llave de encendido se rota fuera de la posición STOP, independientemente de si se arranca el motor.

El Minder Servicio LCD le recuerda al operador los intervalos de mantenimiento para el cambio de aceite del motor, el servicio del filtro de aire, baja motor y advertencias de batería baja. Change

Oil

La pantalla mostrará las letras "CHG", seguido de las letras "OIL", seguido de las letras "pronto", y finalmente seguido por el tiempo acumulado del metro. "CHG / OIL / PRONTO / TIME" se alternará en la pantalla durante 7 minutos después de que el metro llegue a 50 horas. Este servicio cuidadora intervall petróleo ocurrirá cada 50 horas. Antes de que finalice el intervalo, cambie el aceite del motor como se indica en la sección Mantenimiento de este manual de instrucciones.

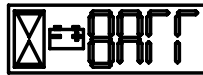
Low Oil

Las letras "LO", seguido de las letras "OIL", a continuación, seguido por el tiempo acumulado del medidor indicará el tractor está bajo de aceite. Detenga el tractor inmediatamente y compruebe el nivel de aceite como se indica en este manual de instrucciones.

NOTA: La función "LOW OIL" sólo funciona si el motor está equipado con un interruptor de presión de aceite.

Batería Baja

En el arranque, el voltaje de la batería se visualiza brevemente a continuación, los cambios en las horas acumuladas. Las



letras "LO" se mostrará seguido de las letras "BATT" y luego followed by tiempo accumulated del metro. "LO / BATT / TIME" se visualiza en la pantalla LCD cuando la tensión cae por debajo de 11,5 voltios. Cuando esto ocurre, la batería está en la necesidad de una carga o sistema de carga del motor no está generando amperaje suficiente. Cargue la batería como se indica en la sección Servicio de este manual o haga que el sistema de carga sea verificado por su distribuidor de servicio local.

Filtrar Servicio Aéreo

Las letras "CLN" mostrará, seguido de las letras "AIRE", seguido de "FILT", a



continuación, seguido por el tiempo acumulado del metro. "CLN / AIR / FILT / TIME" se alternarán en la pantalla durante 7 minutos después de que el metro reachges 25 horas. Este servicio intervalo de tiempo cuidador del filtro de aire será de 25 horas. Por caso, los intervalos que son comunes con el servicio de aceite, se displayed el mensaje de petróleo seguido por primera vez por el mensaje del filtro de aire.

Seguridad general

- RECIBA LAS INSTRUCCIONES - Lea este manual de operación en su totalidad. Aprenda a usar esta máquina DE MANERA SEGURA. No se arriesgue a quedar expuesto a LESIONES o a la MUERTE. Solamente se debe permitir operar este tractor a quienes se hayan familiarizado a fondo con el uso del mismo.
- Antes de arrancar el motor o de empezar a operar, familiarícese con los controles. El operador debe estar en el asiento del operador. El interruptor de la toma de fuerza (PTO) debe estar en posición desenganchada y las palancas de control de transmisión del lado derecho y del lado izquierdo totalmente hacia afuera, en posición neutra.
- Mantenga todos los protectores en su lugar. Manténgase alejado de las piezas móviles.
- ¡NO SE PERMITE TRASLADAR PERSONAS EN EL TRACTOR! Mantenga a todas las personas y las mascotas a una distancia segura de la máquina. Siempre mire hacia atrás y hacia abajo a ambos lados del tractor antes de desplazarse marcha atrás y mientras retrocede.
- NO oriente la descarga de la cortadora hacia la gente.
- En lo posible evite las pendientes. Nunca opere en pendientes mayores de 15°. Las pendientes con mayor inclinación presentan condiciones de operación peligrosas. Los tractores pueden volcar.
- Antes de dejar el asiento del operador: Desconecte la toma de fuerza (PTO), mueva las palancas de control de la transmisión del lado derecho y del lado izquierdo totalmente hacia afuera en posición neutra, apague el motor y quite la llave de encendido. Antes de realizar el mantenimiento o la limpieza de la máquina, espere hasta que cese totalmente el movimiento.
- Opere las palancas de control de transmisión de forma pareja y evite realizar movimientos bruscos con las mismas al arrancar y detenerse. Sujete bien las palancas de control.
- Sea cuidadoso al operar cerca de rutas. Detenga el movimiento del tractor y espere a que pasen los vehículos antes de operar a lo largo de la ruta.
- No haga funcionar el tractor sin la plataforma de la cortadora. Si se quita la plataforma varía el equilibrio del tractor y éste podría volcar.
- Evite operar en superficies de tracción inestables; tenga extrema precaución si la superficie es resbaladiza.
- Reduzca la velocidad antes de girar y deténgase completamente antes de cualquier maniobra de giro cero.
- No detenga ni estacione el tractor sobre materiales combustibles tales como pasto u hojas secas, desechos, etc.
- No llene el depósito de combustible con el motor en funcionamiento o si el mismo está caliente. Deje enfriar el motor varios minutos antes de la recarga de combustible. Apriete el tapón de combustible con firmeza.

Antes de hacer funcionar el tractor

- Antes de hacer funcionar el tractor, lea este manual con atención para familiarizarse con el funcionamiento de todos los instrumentos y controles. El manual se preparó con la finalidad de ayudarlo a hacer funcionar y mantener el tractor eficientemente.
- Se certifica que este motor funciona únicamente con gasolina sin plomo, nueva y limpia. Para obtener el mejor resultado, llene el depósito de combustible únicamente con gasolina sin plomo limpia y fresca, en un surtidor que indique un octanaje igual a 87 o más.

- Se recomienda el uso de gasolina sin plomo porque deja menos depósitos en la cámara de combustión y reduce las emisiones de escape perjudiciales. No se recomienda el uso de gasolina con plomo; no se la debe usar en los lugares en los cuales las emisiones de escape se encuentran reguladas.

NOTA: Compre gasolina en pequeñas cantidades. No use gasolina que haya quedado de la temporada anterior, para minimizar la formación de depósitos de goma en el sistema de combustible.

- El gasohol (hasta 10% de alcohol etílico, 90% de gasolina sin plomo por volumen) es un combustible aprobado. No se aprueba el uso de otras mezclas de gasolina/alcohol.
- El éter metílico terciario-butílico (MTBE) y las mezclas de gasolina sin plomo (hasta un máximo del 15% de MTBE por volumen) son combustibles aprobados. No se aprueba el uso de otras mezclas de gasolina/éter.
- Revise el nivel de aceite del motor.
- Limpie el filtro de aire si es necesario.
- Controle la presión de inflado de los neumáticos.
- Ajuste el asiento para la mayor comodidad del operador, para una adecuada visibilidad y para mantener el control completo del tractor.

Sistema de bloqueo de seguridad

Este tractor está equipado con un sistema de bloqueo de seguridad para protección del operador. Si el sistema de bloqueo funciona mal, no se debe hacer funcionar el tractor. Póngase en contacto con su distribuidor autorizado Cub Cadet.

- El sistema de bloqueo de seguridad evita que el motor intente arrancar o arranque a menos que se muevan las palancas de control de transmisión del lado derecho y del lado izquierdo totalmente hacia afuera en posición neutra, y se desenganche la toma de fuerza (PTO).
- Si el operador abandona su asiento con la PTO enganchada, el sistema de bloqueo de seguridad apaga el motor.

NOTA: El interruptor de la toma de fuerza (PTO) se debe mover a la posición "STOP" (parar) para volver a arrancar el motor.

- El sistema de bloqueo de seguridad apaga la toma de fuerza (PTO) y las cuchillas de la cortadora se detienen si las dos palancas de control de transmisión se mueven a la posición de marcha atrás. Para volver a enganchar la PTO, las palancas deben estar en posición neutra o marcha adelante y el interruptor de la PTO debe estar en la posición OFF (apagado, desenganchado) y luego se lo debe regresar a la posición ON (enganchado).

Arranque del motor



¡ADVERTENCIA! Esta unidad está equipada con un sistema de bloqueo de seguridad para protección del operador. No opere el tractor si alguna parte del sistema de bloqueo funciona mal. Controle periódicamente las funciones del sistema de bloqueo para verificar que funcionen adecuadamente.



¡ADVERTENCIA! Por razones de seguridad personal, el operador debe estar sentado en el asiento del tractor al arrancar el motor.

1. El operador debe estar sentado en el asiento del tractor con las palancas de control totalmente hacia afuera en la posición neutra (freno de mano aplicado).
2. Verifique que el interruptor de la toma de fuerza (PTO) se encuentre en posición desactivada (abajo). Consulte la Figura 5-1.

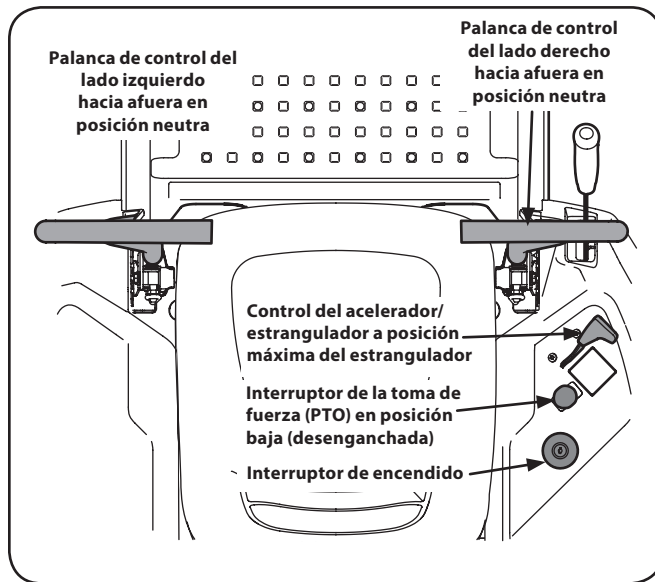


Figura 5-1

3. Mueva el control del acelerador/estrangulador a la posición máxima del estrangulador. Consulte la Figura 5-1.

NOTA: Si el motor está caliente, tal vez no sea necesario colocar el control del acelerador/estrangulador en la posición del estrangulador.
4. Inserte la llave en el interruptor de encendido y gírela en el sentido de las agujas del reloj a la posición de arranque y suéltela en cuanto arranque el motor; sin embargo, no dé arranque continuamente durante más de 5 segundos por vez. Si el motor no arranca en este período, gire la llave a la posición de apagado y espere por lo menos 15 segundos para dejar que se enfríe el motor de arranque del motor. Inténtelo de nuevo después de esperar. Si después de unos cuantos intentos el motor no arranca, no siga intentando arrancarlo con el estrangulador cerrado ya que de esa manera se ahogará el motor y el arranque será más difícil aún.
5. Cuando se calienta el motor, tire gradualmente de la palanca de control del acelerador/estrangulador hacia atrás pasando la posición de detención del estrangulador o, en modelos con un estrangulador separado, desenganche lentamente el estrangulador. No use la posición del estrangulador para enriquecer la mezcla de combustible, a menos que sea necesario para arrancar el motor.
6. Deje que el motor funcione unos cuantos minutos a una aceleración intermedia antes de someterlo a la carga.

7. Observe el medidor horario/panel indicador. Si se enciende la luz del indicador de batería o de presión de aceite, detenga el motor inmediatamente. Haga controlar el tractor por el distribuidor.

Arranque del motor en clima frío

Al arrancar el motor a temperaturas cercanas o inferiores al punto de congelamiento, asegúrese de que se use aceite de motor de viscosidad correcta y que la batería tenga carga completa. Arranque el motor de la siguiente forma:

1. Asegúrese de que la batería se encuentre en buen estado. Una batería caliente tiene una capacidad de arranque mucho mayor que una batería fría.
2. Use combustible fresco para uso invernal. La gasolina para uso invernal tiene mayor volatilidad a los efectos de mejorar el arranque. No use gasolina que le haya quedado del verano.
3. Siga las instrucciones previas para Arrancar el motor.

Uso de cables de puente para arrancar el motor



¡ADVERTENCIA! Las baterías contienen ácido sulfúrico y producen gases explosivos. Asegúrese de que el área esté bien ventilada, use guantes y protección ocular, y evite chispas o llamas cerca de la batería.

Si la carga de la batería no es suficiente para dar arranque al motor, vuelva a cargar la batería. Si no dispone de un cargador de batería y debe arrancar el tractor, puede ser necesario usar una batería de urgencia. Conecte la batería de urgencia de la siguiente forma:

1. Conecte el extremo de un cable al borne positivo de la batería del tractor que no funciona; luego conecte el otro extremo de ese cable al borne positivo de la batería de urgencia.
2. Conecte un extremo del otro cable al borne negativo de la batería de urgencia; luego conecte el otro extremo de ese cable al bastidor del tractor que no funciona, a la mayor distancia posible de la batería.
3. Arranque el tractor que no funciona según las instrucciones de arranque normales indicadas más arriba; luego desconecte los cables de puente en orden exactamente inverso al de la conexión.
4. Haga controlar y reparar el sistema eléctrico del tractor lo más pronto que fuere posible, para eliminar la necesidad de usar cables de puente para arrancarlo.

Detención del motor

1. Desconecte la PTO.
2. Coloque las palancas de control de transmisión del lado derecho y del lado izquierdo totalmente hacia afuera, en posición neutra.
3. Mueva el control del acelerador a distancia media entre las posiciones Velocidad lenta y Velocidad rápida .
4. Gire la llave de encendido a la posición de parada y quite la llave del interruptor de encendido.

NOTA: Siempre quite la llave del interruptor de encendido para evitar el arranque accidental o la descarga de la batería si el equipo queda sin supervisión.

Practique el modo de operación con el tractor (uso inicial)

Operar un tractor con radio de giro cero no es lo mismo que operar un tractor convencional. Si bien precisamente un tractor con radio de giro cero es más maniobrable, es necesario practicar la operación de las palancas de control para acostumbrarse a las mismas.

Se recomienda enfáticamente que encuentre un "área de práctica" de superficie razonable, nivelada y abierta, en la cual no haya obstrucciones, peatones ni mascotas. Debe practicar la operación del tractor durante 30 minutos por lo menos.

Lleve (o haga que alguien lleve) el tractor al área de práctica con cuidado. Cuando esté practicando, la toma de fuerza (PTO) no debe estar enganchada. Mientras practica, haga funcionar el tractor a aproximadamente $\frac{1}{2}$ - $\frac{3}{4}$ de aceleración y a menos de la velocidad máxima tanto en marcha adelante como en marcha atrás.

Ejercite cuidadosamente las maniobras con el tractor, usando las instrucciones de la sección siguiente "Conducción del tractor". Practique hasta que se sienta confiado de poder manejar el tractor con seguridad.

Conducción del tractor



¡ADVERTENCIA! Evite arrancar súbitamente, desarrollar excesiva velocidad y detenerse de repente.

1. Ajuste el asiento del operador a la posición más cómoda que le permita operar los controles. Consulte la forma de hacerlo en la sección Montaje y Configuración.
2. Mueva las palancas de control de transmisión del lado derecho y del lado izquierdo hacia adentro, en posición neutra, lo cual desactiva también el freno de mano. Consulte la Figura 5-2.

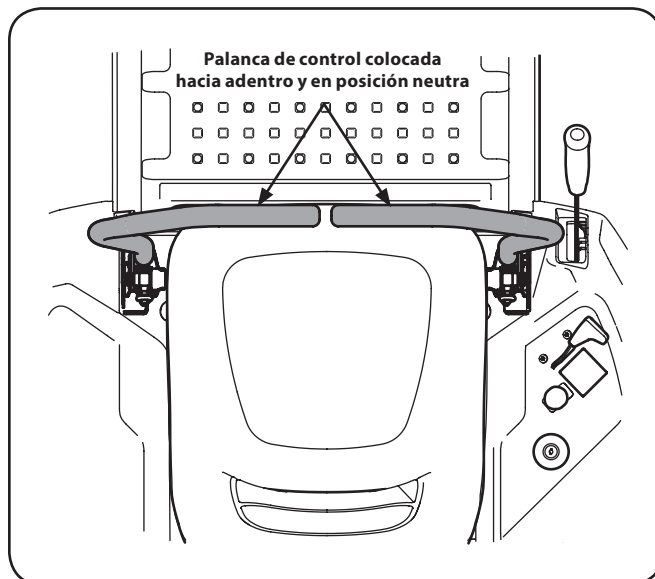


Figura 5-2

NOTA: Las barras solapadas deben movido totalmente hacia adentro antes de empujar hacia adelante o hacia atrás para asegurarse de frenos están completamente liberadas. Aparcar el tractor en terreno desigual o una colina puede causar que los frenos se unen y no se suelte por completo. En este caso, el tractor no va a conducir cuando las barras se mueven de vuelta. Si esto ocurre, mueva la barra de vuelta en la dirección opuesta ligeramente para tener la carga de los frenos y permita que se libere por completo.

NOTA: Si las palancas de control no están niveladas en posición neutra, consulte la Sección Mantenimiento y Ajustes ver las instrucciones para ajustar las palancas de manera que queden niveladas.

3. Mueva la palanca de control del acelerador hacia adelante a la posición de aceleración máxima.

NOTA: Si bien el motor del tractor se ha diseñado para funcionar a máxima aceleración, cuando practica el tractor debe funcionar a menos del máximo. Esto se aplica únicamente al funcionamiento del motor durante la práctica.



¡ADVERTENCIA! Siempre sujete las palancas de control con firmeza. NO suelte las palancas de control para desplazarse más despacio o para detener el tractor; lleve las palancas a la posición neutra con las manos.

4. Para conducir el tractor, tome firmemente las palancas de control de la transmisión respectivas con las manos derecha e izquierda y proceda con Conducción del Tractor marcha adelante, según las instrucciones de la página siguiente.

Conducción del tractor hacia adelante



¡ADVERTENCIA! Todos los movimientos de las palancas de control deben ser lentos y suaves. El movimiento abrupto de las palancas de control puede afectar la estabilidad del tractor y podría hacer que el tractor vuelque, con el resultado de lesiones graves o incluso la muerte del operador.

1. Mueva las palancas de control lenta y suavemente hacia adelante. El tractor comenzará a desplazarse hacia adelante. Consulte la Figura 5-3.

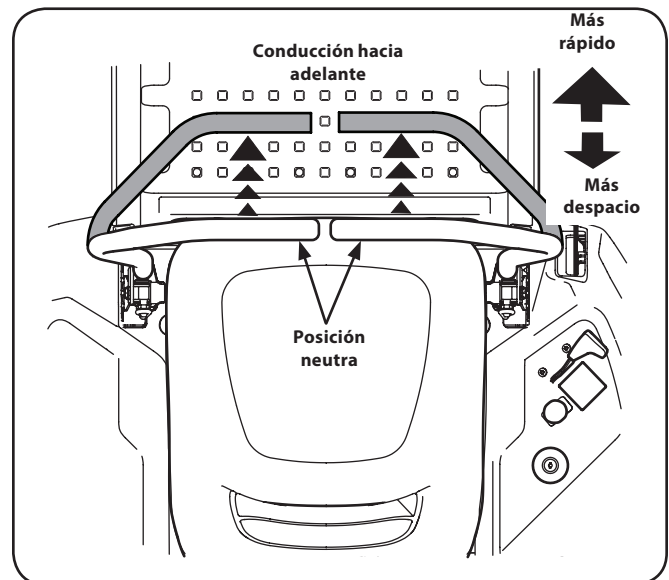


Figura 5-3

2. A medida que las palancas de control se empujan más hacia adelante, aumenta la velocidad del tractor.
3. Para que el tractor se desplace más lentamente, mueva la palanca de control hacia atrás hasta alcanzar la velocidad deseada, o coloque las palancas en la posición neutra para detener el tractor.



¡ADVERTENCIA! Siempre tome y sujete las palancas de control con firmeza. No suelte las palancas para que el tractor se desplace con mayor lentitud ni para volver a posición neutra.

Giro con el tractor en marcha adelante



¡ADVERTENCIA! Al invertir la dirección del desplazamiento, le recomendamos que en lo posible realice giros graduales en "U". Los giros más agudos aumentan la posibilidad de que se deteriore el césped y podrían afectar el control del tractor. Conduzca SIEMPRE el tractor lentamente antes de girar en curvas cerradas.

Para que el tractor gire mientras se desplaza hacia adelante, mueva las palancas de control según sea necesario para que una palanca quede más atrás que la otra. El tractor girará en la dirección de la palanca que queda más atrás.

1. Para girar a la izquierda, mueva la palanca de control del lado izquierdo hacia atrás respecto de la palanca derecha. Consulte la Figura 5-4.

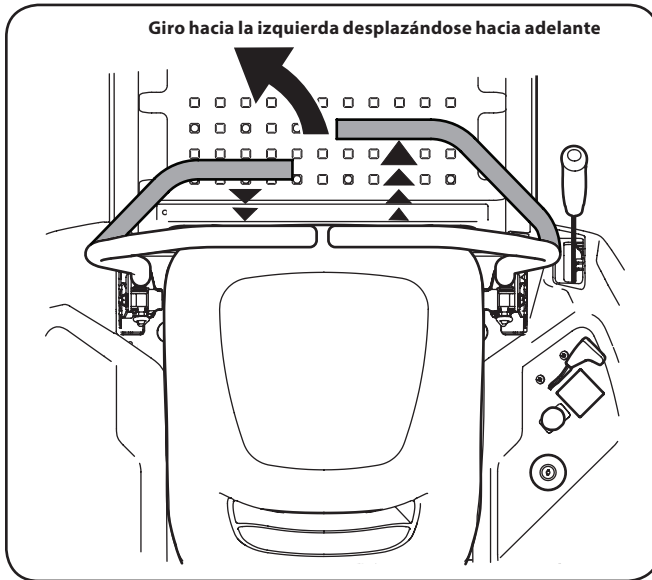


Figura 5-4

2. Para girar a la derecha, mueva la palanca de control del lado derecho hacia atrás respecto de la palanca izquierda. Consulte la Figura 5-5.

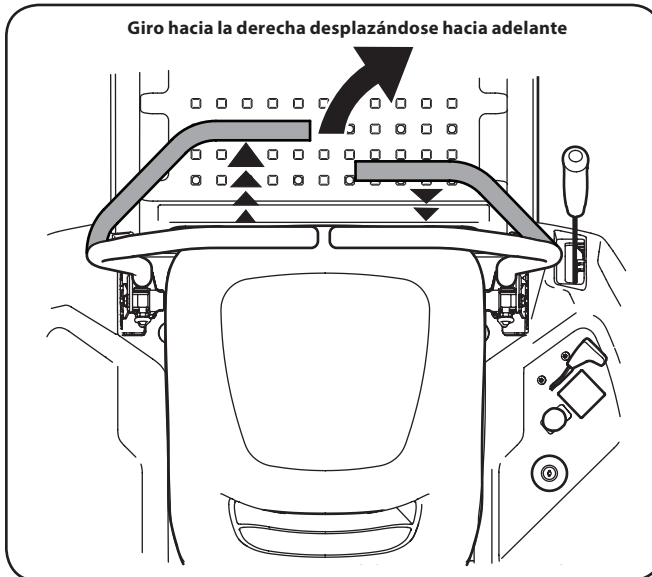


Figura 5-5

3. Cuanto mayor sea la distancia entre las dos palancas, más cerrado será el giro que dará el tractor.

4. Para realizar un "giro de pivote", mueva la palanca de control del lado de giro a la posición neutra, mientras mueve la otra palanca de control hacia adelante.

NOTA: Los "giros de pivote" sobre el pasto aumentan significativamente el potencial de que se deteriore el césped.

Conducción del tractor en marcha atrás



¡ADVERTENCIA! Siempre mire hacia atrás y hacia abajo a ambos lados del tractor antes de desplazarse marcha atrás. Siempre mire hacia atrás cuando se desplaza en marcha atrás.

1. Mueva las dos palancas de control lenta y suavemente hacia atrás. El tractor comenzará a moverse hacia atrás. Consulte la Figura 5-6.

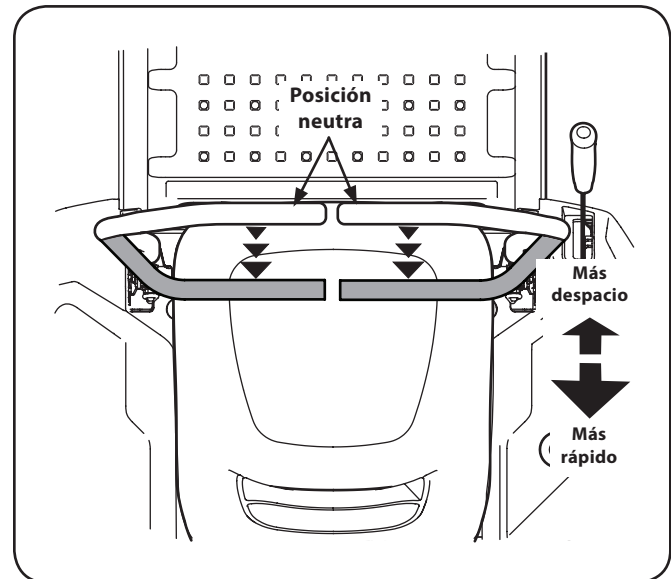


Figura 5-6

2. A medida que las palancas de control se empujan más hacia atrás, aumenta la velocidad del tractor.
3. Para que el tractor se desplace más lentamente, mueva la palanca de control hacia adelante hasta alcanzar la velocidad deseada, o coloque las palancas en la posición neutra para detener el tractor.

Realizar un giro mientras se conduce marcha atrás

Para que el tractor gire mientras se desplaza hacia atrás, mueva las palancas de control según sea necesario para que una palanca quede más adelante que la otra. El tractor girará en la dirección de la palanca que queda más adelante.

1. Para girar a la izquierda mientras se desplaza marcha atrás, mueva la palanca de control del lado izquierdo hacia adelante respecto de la palanca derecha. Consulte la Figura 5-7.

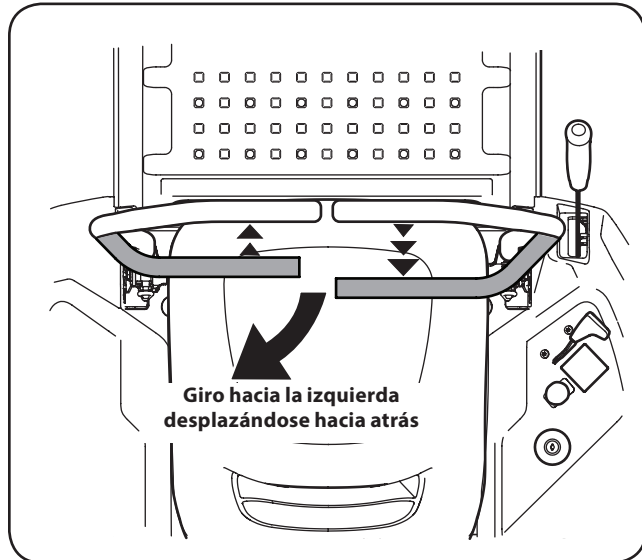


Figura 5-7

2. Para girar a la derecha mientras se desplaza marcha atrás, mueva la palanca de control del lado derecho hacia adelante respecto de la palanca izquierda. Consulte la Figura 5-8.

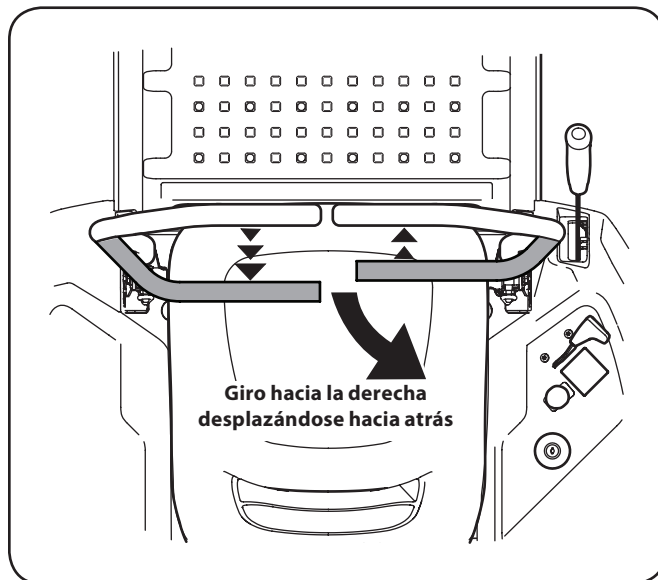


Figura 5-8

3. Cuanto mayor sea la distancia entre las dos palancas, más cerrado será el giro que dará el tractor.
4. Para realizar un "giro de pivote", mueva la palanca de control del lado de giro a la posición neutra, mientras mueve la otra palanca de control hacia atrás.

NOTA: Los "giros de pivote" sobre el pasto aumentan significativamente el potencial de que se deteriore el césped.

Giro de radio cero



¡ADVERTENCIA! Para realizar un giro de radio cero, el tractor **SE DEBE DETENER**. La realización de un giro de radio cero con el tractor en movimiento puede reducir significativamente el grado de control que se tenga sobre el mismo, y dará lugar a un grave deterioro del césped.

1. Detenga el movimiento del tractor hacia adelante o hacia atrás colocando las dos palancas de control en neutra.
2. Para girar en el sentido de las agujas del reloj, mueva la palanca de control del lado izquierdo hacia adelante mientras mueve simultáneamente la palanca de control derecha hacia atrás. Consulte la Figura 5-9.

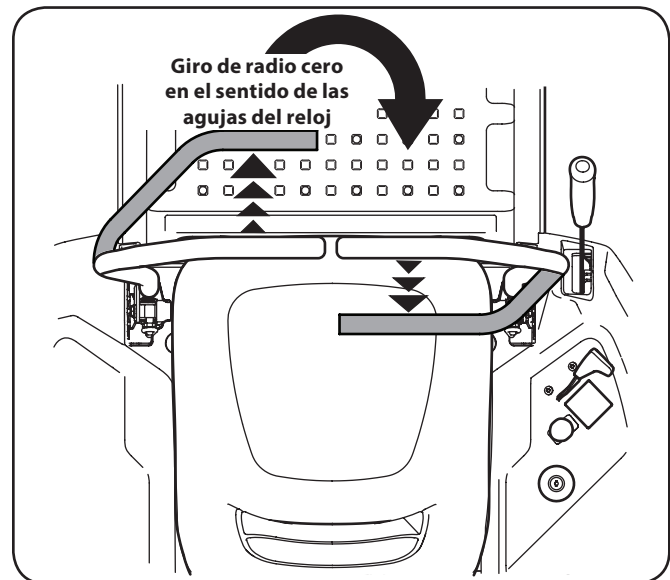


Figura 5-9

3. Para girar en sentido contrario a las agujas del reloj, mueva la palanca de control del lado derecho hacia adelante mientras mueve simultáneamente la palanca de control izquierda hacia atrás. Consulte la Figura 5-10.

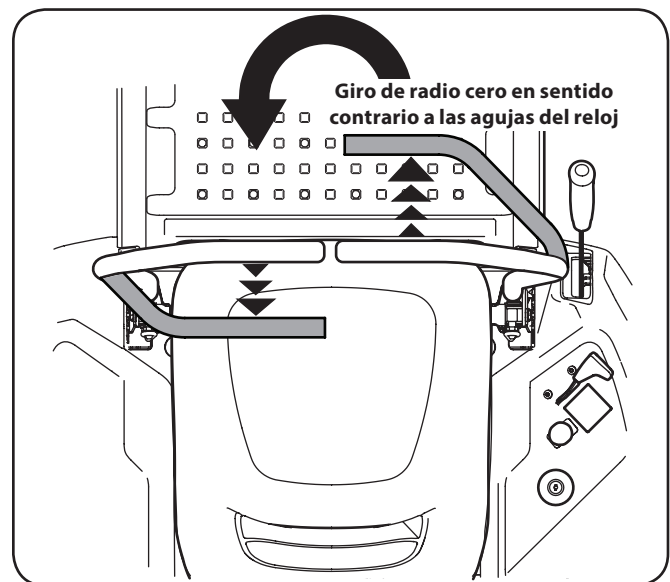


Figura 5-10

Detención del tractor

1. Mueva las dos palancas de control a la posición neutra para detener el movimiento del tractor.
2. Presione el interruptor de la toma de fuerza (PTO) hacia abajo a la posición desenganchada.
3. Use la manija de elevación de la plataforma para levantar la plataforma a su posición más alta.
4. Si desea bajarse del tractor, mueva las manijas de control de la transmisión totalmente hacia afuera hasta la posición neutra, lo cual también engancha el freno de mano, mueva la palanca de control del acelerador a la posición de velocidad rápida, gire el interruptor de encendido para parar y retire la llave del interruptor.



¡ADVERTENCIA! No abandone el asiento del tractor sin desenganchar la toma de fuerza (PTO) y sin colocar las palancas de control de la transmisión totalmente hacia afuera en posición neutra/con el freno de mano aplicado. Si deja el tractor sin vigilancia, apague el motor girando la llave de encendido y retírela.

Operación en pendientes

Consulte indicador de pendiente en la Sección Funcionamiento Seguro para determinar en qué pendientes no puede operar el tractor de manera segura.



¡ADVERTENCIA! No utilice la unidad en pendientes con una inclinación mayor de 15 grados (elevación aproximada de 2-½ pies cada 10 pies). El tractor podría volcar y causar lesiones graves.

1. Siempre conduzca el tractor de forma transversal a la pendiente, nunca hacia arriba y hacia abajo. Controle la velocidad y la dirección del tractor usando principalmente la palanca de control del lado del tractor que queda 'cuesta abajo', mientras que la palanca de control del lado 'cuesta arriba' permanece esencialmente fija.
2. En lo posible evite girar cuesta abajo. Comience en la base de la pendiente y opere cuesta arriba. Siempre reduzca la velocidad antes de dar la vuelta.
3. Ponga especial cuidado y conduzca lentamente al girar cuesta abajo.

Funcionamiento de la toma de fuerza PTO

Opere el embrague de la toma de fuerza (PTO) de la siguiente forma:

1. Mueva la palanca de control del acelerador aproximadamente a la posición de aceleración intermedia.
2. Tire del interruptor de la toma de fuerza (PTO) hacia arriba a la posición "ENGANCHADA".
3. Adelante la palanca del regulador a la velocidad operativa (velocidad máxima del motor).
4. El operador debe permanecer sentado en el tractor en todo momento. Si el operador debe abandonar el asiento sin apagar el interruptor de la toma de fuerza, se apagará el motor del tractor.
5. No se puede utilizar el embrague de la toma de fuerza (PTO) cuando el tractor se desplaza marcha atrás. La PTO se desenganchará cuando se desplazan ambas palancas de control de la transmisión hasta la posición de marcha atrás. Para volver a enganchar la PTO, las palancas deben estar en posición neutra o marcha adelante y el interruptor de la PTO debe estar en la posición OFF (apagado, desenganchado) y luego se lo debe regresar a la posición ON (enganchado).

Uso de la plataforma de corte



¡ADVERTENCIA! Asegúrese que el área donde se va a cortar esté libre de desechos, ramitas, piedras, cables u otros objetos que puedan ser arrojados por las cuchillas rotativas.

NOTA: No enganche la plataforma de la cortadora cuando esté baja sobre el pasto. Se produce el desgaste prematuro y la posible falla de la correa en "V" y del embrague de la toma de fuerza (PTO). Antes de enganchar la plataforma de corte, levante totalmente la plataforma o lleve la máquina a un área donde no haya césped.

1. Corte de forma transversal a la pendiente, no hacia arriba ni hacia abajo. Si corta el césped en pendiente, comience por la base y desplácese hacia arriba para asegurar que siempre se gire cuesta arriba.
 2. Al realizar la primera pasada elija un punto del lado opuesto del área a cortar.
 3. Enganche el embrague de la toma de fuerza (PTO) usando el interruptor de la toma de fuerza (PTO) y mueva el control del acelerador/estrangulador a la posición de velocidad rápida.
 4. Baje la plataforma de la cortadora al ajuste de altura deseado usando la manija de elevación.
 5. Empuje las palancas de control del lado derecho y del lado izquierdo lentamente y de forma pareja hacia adelante para que el tractor avance hacia adelante, y mantenga la orientación del tractor en línea recta hacia el punto de alineación.
- NOTA:** La velocidad del tractor afecta la calidad del corte que realiza la cortadora. Si realiza el corte a máxima velocidad la calidad se ve afectada negativamente. Controle la velocidad absoluta con las palancas de control.
6. Cuando se acerque al otro extremo de la franja, reduzca la velocidad o deténgase antes de girar. Se recomienda realizar un giro en U a menos que sea necesario realizar un giro de radio cero.
 7. Alinee la cortadora de césped con un borde de la franja cortada y superponga la pasada aproximadamente 3 pulgadas.
 8. Oriente el tractor en cada franja subsiguiente de modo que se alinee con la franja ya cortada.
 9. Para evitar la formación de surcos o ranuras en el césped, en lo posible varíe la dirección de las franjas de corte aproximadamente 45° en cada corte subsiguiente.



¡ADVERTENCIA! Tenga sumo cuidado al atravesar senderos de grava o caminos de acceso. Desenganche la toma de fuerza (PTO) y levante la plataforma hasta la posición más alta antes de cruzar.

NOTA: Siempre que detenga el tractor por cualquier razón en un área de césped, haga lo siguiente:

- Coloque las palancas de control en la posición neutra/con freno de mano aplicado,
- Apague el motor y retire la llave.
- Eso permitirá reducir al mínimo la posibilidad de que su césped resulte quemado por el escape caliente del motor en funcionamiento.

Control de los circuitos de bloqueo de seguridad

Controle periódicamente los circuitos de bloqueo de seguridad para estar seguro de que funcionan adecuadamente. Si algún circuito de seguridad no funciona según diseño, póngase en contacto con el distribuidor Cub Cadet para que inspeccione el tractor. NO use el tractor si algún circuito de seguridad no está funcionando adecuadamente. Para controlar los circuitos de seguridad proceda de la siguiente manera:

1. Tire del interruptor de la toma de fuerza (PTO) hacia arriba a la posición de enganche. Gire el interruptor de encendido a la posición de arranque momentáneamente; el motor no debería intentar arrancar.
2. Mueva las dos palancas de control totalmente hacia adentro hasta la posición neutra; luego levántelas desde el asiento del operador. El motor debe dejar de funcionar.
3. Con las dos palancas de control totalmente hacia afuera en la posición neutra/con el freno de mano aplicado, enganche la toma de fuerza (PTO). Levántelas desde el asiento del operador; el motor se debe detener.
4. Arranque el tractor y mueva las palancas de control hacia adentro hasta la posición neutra de funcionamiento. Enganche la PTO y mueva ambas palancas de control lentamente hasta la posición de marcha atrás lenta; la PTO debería desengancharse y la plataforma de la cortadora debería detenerse.

Programa de mantenimiento

	Antes de cada uso	Después de las primeras 5 horas	Cada 10 Horas	Cada 25 Horas	Cada 50 Horas	Cada 100 Horas	Antes de almacenar	Consulte el manual del motor
Revisar y Limpiar los ventiladores de enfriamiento del motor para Escombros	✓						✓	
Revise el nivel de aceite del motor	✓							
Revise el filtro de aire para las piezas sucias, sueltas o dañadas	✓							
Terminales de la batería limpios			✓				✓	
Engrasar todos los puntos de lubricación			✓				✓	
Compruebe Rejilla de admisión/limpie si es necesario			✓				✓	
Compruebe Cuchillas/Enfocar o reemplace según sea necesario			✓				✓	
Revise la presión de neumático			✓				✓	
Revisar/Limpiar inferior de la plataforma			✓					
Inspeccione y lubricante Ruedas de plataforma				✓			✓	
Comprobar cubierta de nivel/Paso				✓			✓	
Compruebe Correas y Poleas por Daños/desgaste					✓			
Compruebe que todo el hardware está en su lugar y seguro						✓		
Comprobar el estado de la bujía y brecha						✓	✓	✓
Rodaje del motor de cambio de aceite		✓						✓
Cambio de aceite del motor					✓		✓	✓
Reemplace el filtro de aceite					✓		✓	✓
Limpiar el filtro de aire de cambio o					✓			✓
Reemplace el filtro de combustible					✓			✓
Haga que la válvula Lash Checked & Ajustado *								✓

* -- Haga que este artículo realizado por un distribuidor de servicio autorizado.

NOTA: Este manual de instrucciones abarca varios modelos. Características del tractor pueden variar según el modelo. No todas las funciones de este manual son aplicables a todos los modelos de tractor y el tractor se muestra puede diferir de la suya.



¡ADVERTENCIA! Antes de realizar cualquier operación de mantenimiento o reparaciones, desconecte la toma de fuerza, el freno de mano, apague el motor y llave para evitar el encendido accidental de quitar.

Motor

Consulte el manual del operador del motor para todos los procedimientos de mantenimiento del motor y las instrucciones.

NOTA: El mantenimiento, reparación o reemplazo de los dispositivos de control de emisiones y sistemas que se están haciendo a costa del propietario puede ser realizada por cualquier establecimiento de reparaciones de motores o individual. **Las reparaciones en garantía deben ser realizadas por un distribuidor de Cub Cadet.**

Cambiar el aceite del motor



¡ADVERTENCIA! Si el motor se ha puesto en funcionamiento recientemente, el motor, silenciador y las superficies metálicas circundantes estarán calientes y pueden causar quemaduras en la piel. Tome precauciones para evitar quemaduras.

Para completar el cambio de aceite, proceda de la siguiente manera:

1. Haga funcionar el motor durante un corto tiempo para calentar el aceite del motor. El aceite fluirá más libremente y transportará más impurezas. Tenga cuidado para evitar quemarse con el aceite caliente.
2. Localizar la manguera de drenaje de aceite / válvula en el lado derecho del motor.
3. Si su motor tiene la configuración de la válvula de drenaje de aceite se muestra si la Figura 6-1, consulte Drenar el Aceite sección Válvula de abajo.

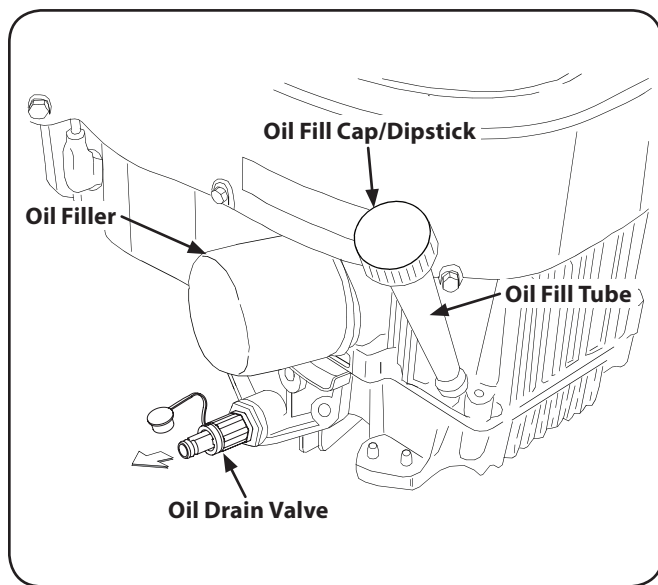


Figura 6-1

4. Si su motor tiene la configuración de la manguera de drenaje de aceite en la Figura 6-2, consulte la sección de la manguera de drenaje de aceite por debajo de.

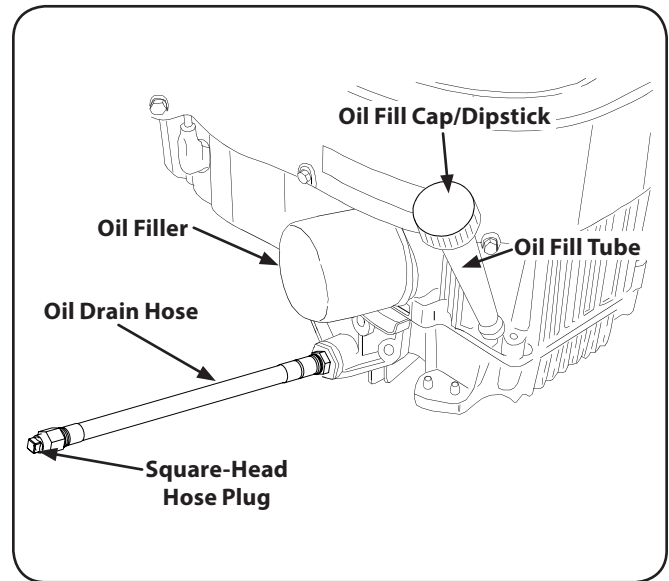


Figura 6-2

Válvula de drenaje de aceite (si está equipado)

1. Pop abrir la tapa protectora en el extremo de la válvula de drenaje del aceite para exponer el orificio de drenaje. Consulte la Figura 6-1. Retire el tapón de llenado/varilla de medición del tubo de llenado de aceite.
2. Empuje la manguera de drenaje de aceite (empaquetada con este manual) dentro del orificio de drenaje de aceite. Coloque el extremo opuesto de la manguera en un recipiente de recolección de aceite adecuado con al menos una capacidad de 2,5 cuartos para recoger el aceite usado.
3. Gire la válvula de drenaje de aceite 1/4 de vuelta, a continuación, tire hacia el exterior para comenzar el drenaje de petróleo. Después de que el petróleo ha terminado de drenaje, empuje final de la válvula de drenaje de aceite y encienda un cuarto de vuelta para asegurarlo en su lugar. Vuelva a tapar el extremo de la válvula de drenaje para evitar que entren residuos en el orificio de drenaje.
4. Reemplace el filtro de aceite y vuelva a llenar el motor con aceite nuevo según las instrucciones en el manual del operador del motor.

Manguera de drenaje de aceite (en su caso)

1. Retire la manguera de la retención de malla-clamp. Pase el extremo libre de la manguera de drenaje de aceite hacia un recipiente de recogida de aceite adecuado con al menos una capacidad de 2,5 cuartos, para recoger el aceite usado. Retire el tapón de llenado / varilla de medición del tubo de llenado de aceite.
2. Mientras sujeta el extremo libre de la manguera de drenaje de aceite en el depósito de recogida de aceite, desenrosca el tapón de la manguera de cabeza cuadrada en el extremo de motor en el contenedor de recogida.
3. Después de drenar el aceite, limpie cualquier aceite residual de la manguera de drenaje de aceite. Pase el tapón de cabeza cuadrada en la manguera de drenaje apropiado y apriete completamente el tapón.
4. Reemplace el filtro de aceite y vuelva a llenar el motor con aceite nuevo según las instrucciones en el manual del operador del motor.
5. Vuelva a insertar la manguera a través de la retención de bucle de abrazadera.

Lubricación

- Con una pistola de presión de lubricación, la lubricación de los ejes de las ruedas delanteras de ricino y el pivote del eje delantero con grasa después de cada 10 horas de servicio.
- Periódicamente lubrique todos los demás puntos de giro con una calidad de aceite lubricante.

Limpieza de las poleas del husillo

Una vez al mes quitar la cinta cubre para eliminar cualquier acumulación de recortes de césped alrededor de las poleas del huso y V-belt. Limpie más a menudo cuando siegue la hierba alta y seca.

Limpieza del tractor

Cualquier combustible o aceite derramado en la máquina deben limpiarse de inmediato. NO permita que se acumulen desechos alrededor de las aletas de refrigeración del motor, ventilador de refrigeración de la transmisión ni en ninguna otra parte de la máquina, especialmente las correas y poleas.

Smart Jet™

La plataforma de su tractor está equipado con un puerto de agua sobre su superficie como parte de su sistema de lavado de la plataforma.

Utilice el Smart Jet™ para lavar la hierba cortada de la parte inferior de la cubierta y evitar la acumulación de sustancias químicas corrosivas. Complete los siguientes pasos DESPUÉS DE CADA CORTE DE CÉSPED:

1. Conducir el tractor a una zona nivelada y despejada del césped, lo suficientemente cerca como para su manguera de jardín para llegar.



CAUTION: Make certain the tractor's discharge chute is directed AWAY from your house, garage, parked cars, etc.

2. Desactive el PTO (enganche de cuchilla), ponga el freno de estacionamiento y pare el motor.
3. Enrosque el acople de manguera (embalado con el Manual del Operador de su tractor) en el extremo de la manguera de su jardín.

4. Una el acople de la manguera al puerto de agua a la izquierda de la superficie de la cubierta. Vea la Figura 6-3.

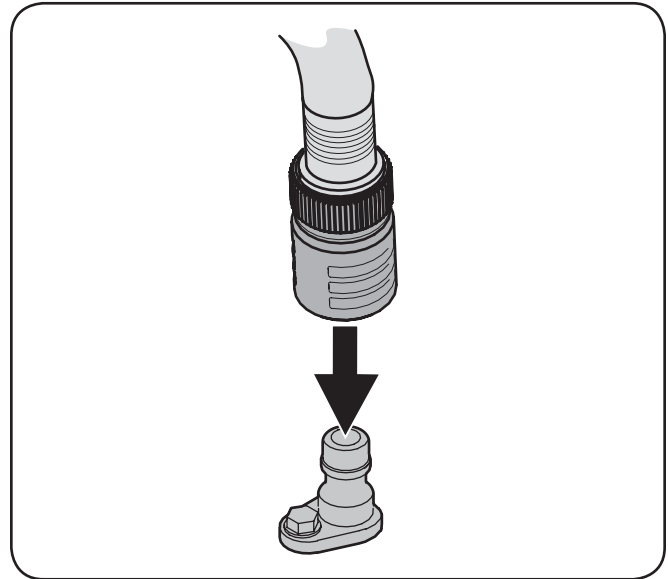


Figura 6-3

5. Abra el agua.
6. Mientras está sentado en la posición del operador en el tractor, arranque el motor y coloque el acelerador en la posición FAST
7. Active el PTO.
8. Permanezca en la posición del operador con la plataforma de corte colocada por un mínimo de dos minutos, lo que permite la parte inferior de la plataforma de corte se lave a fondo.
9. Desactive el PTO.
10. Gire la llave de contacto a la posición STOP
11. Desconecte el agua y retire el acoplador de manguera desde el puerto de agua sobre la superficie de la cubierta.
12. Después de limpiar la plataforma con el sistema Smart Jet™, regrese a la posición del operador y enganche la PTO. Mantenga el corte de la plataforma en funcionamiento durante un mínimo de dos minutos, permitiendo que la parte inferior de la plataforma de corte se seque completamente.

Neumáticos



¡ADVERTENCIA! Nunca exceda la presión máxima de inflado que se indica en el flanco de la tire.

Consulte los laterales de los neumáticos para psi recomendada o máxima del fabricante de neumáticos exacta. No inflar demasiado. Presión de neumáticos despareja podría hacer que la plataforma corte el césped en forma desigual.

General de Información de la batería



¡ADVERTENCIA!

- En caso de que el ácido de batería salpique accidentalmente en los ojos o la piel, lavar la zona afectada inmediatamente con agua limpia y fría. Si hay alguna molestia más, busque atención médica inmediata.
- Si el ácido salpica la ropa, primero diluir con agua limpia, luego se neutraliza con una solución de amoníaco / agua o bicarbonato de sodio / agua.
- NUNCA conecte (o desconecte) clips del cargador de la batería a la batería mientras el cargador está encendido, ya que puede causar chispas.
- Mantenga todas las fuentes de ignición (cigarrillos, fósforos, encendedores) alejadas de la batería. El gas generado durante la carga puede ser combustibles.
- Como precaución adicional, sólo cargar la batería en un área bien ventilada.
- Siempre proteja sus ojos y piel y la ropa cuando se trabaja cerca de las baterías.
- Las baterías contienen ácido sulfúrico y pueden producir gases explosivos. Tenga mucho cuidado al manipular las pilas. Mantenga las pilas fuera del alcance de los niños.

Mantenimiento de la batería

- La batería está lleno de ácido de la batería y luego sellado en la fábrica. Sin embargo, incluso una batería de "libre de mantenimiento" requiere un poco de mantenimiento para asegurar su ciclo de vida adecuada.
- Rocíe los bornes y el cable expuesto con un sellador terminal de la batería, o recubrir los bornes con una capa fina de grasa o vaselina, para proteger contra la corrosión.
- Siempre mantenga los cables de la batería y los terminales limpios y libres de corrosión.
- Evite inclinar. Incluso una batería sellada pierde electrolitos cuando está volcada.



¡ADVERTENCIA! Las baterías contienen ácido sulfúrico y pueden producir gases explosivos. Tenga mucho cuidado al manipular las pilas. Mantenga las pilas fuera del alcance de los niños.

Almacenamiento de la batería

1. Cuando guarde el tractor durante periodos prolongados, desconecte el cable negativo de la batería. No es necesario quitar la batería.
2. Todas las baterías se descargan durante el almacenamiento. Mantenga el exterior de la batería limpia, especialmente la parte superior. Una batería sucia se descarga más rápidamente.
3. La batería debe guardarse con una carga completa. Una batería descargada puede congelarse antes de lo que una batería cargada. Una batería completamente cargada se conservan más tiempo en temperaturas frías que caliente.
4. Cargue la batería antes de volver al servicio. Aunque el tractor pueda arrancar, el sistema de carga del motor no puede recargar completamente la batería.

Transmisión hidrostática

La transmisión viene sellada en la fábrica y no necesita mantenimiento. El nivel del líquido no se puede comprobar y el líquido no puede ser cambiado.

Ajustes



¡ADVERTENCIA! Apague el motor, retire la llave de encendido y coloque el freno de mano antes de realizar ajustes. Proteja sus manos utilizando guantes reforzados cuando manipule las cuchillas.

Ajuste de las palancas de control de la transmisión lado derecho y lado izquierdo

Las palancas de control de la transmisión del lado derecho y del lado izquierdo se pueden ajustar hacia arriba o hacia abajo y hacia adelante y hacia atrás para proporcionar comodidad al operador. Las palancas de control de la transmisión se pueden colocar en una de dos posiciones de altura, y/o se pueden desplazar hacia adelante o hacia atrás dentro del rango de la ranura en cada brazo inferior.

Para ajustar la altura de la palanca de control de la transmisión, proceda de la siguiente forma:

1. Quite el tornillo hexagonal superior y la arandela plana que sujetan la palanca al soporte de pivote.
2. Mientras sostiene la palanca de control para evitar que caiga, quite el tornillo hexagonal y la arandela plana de la base de la palanca de control y del brazo inferior. Consulte la Figura 6-4.

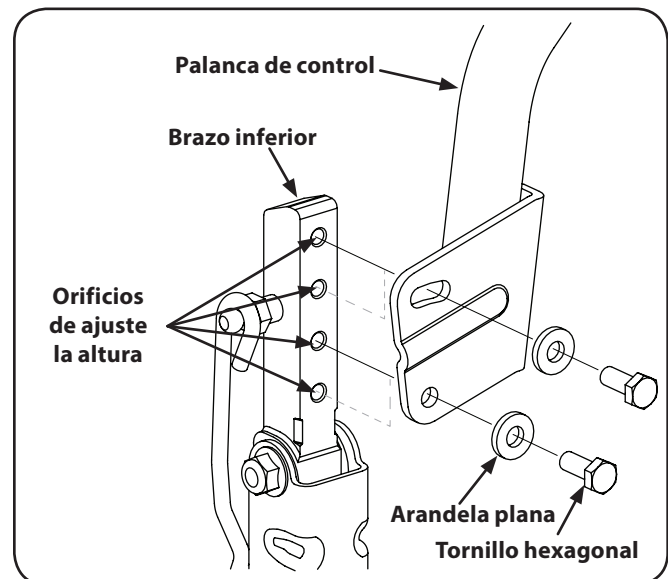


Figura 6-4

3. Vuelva a ubicar la palanca de control para alinearla con el otro conjunto de orificios del brazo inferior e inserte el tornillo hexagonal a través de la arandela plana y dentro del brazo inferior. Apriete el tornillo hexagonal hasta que quede ajustado.
4. Inserte el tornillo hexagonal a través de la arandela plana y a través de la ranura de la palanca de control y el brazo inferior. No apriete en este momento.
5. Si va a ajustar las palancas de control hacia adelante o hacia atrás, realice el paso siguiente. De lo contrario, ajuste completamente el tornillo hexagonal.

Para ajustar las palancas de control hacia adelante o hacia atrás, proceda de la siguiente forma:

1. Afloje el tornillo hexagonal si aún no lo aflojaron y rote la palanca de control hacia adelante o hacia atrás a la posición deseada. Vea la Figura 6-4.
- NOTA:** Si la palanca de control está demasiado apretada y es difícil moverla, afloje el tornillo hexagonal de la base de la palanca de control.
2. Apriete el tornillo hexagonal para fijar la palanca de control en la posición ajustada
3. Repita el procedimiento anterior para ajustar la otra palanca de control en la misma posición. Ajuste de manera que las dos palancas queden parejas entre sí cuando se encuentran en posición neutra.

Plataforma

NOTA: Controle la presión de neumáticos del tractor antes de realizar cualquier nivelación de la plataforma. Consulte la sección Neumáticos para obtener información sobre la presión de los neumáticos.



¡ADVERTENCIA! Apague el motor, retire la llave de encendido y coloque el freno de mano antes de realizar ajustes. Proteja sus manos utilizando guantes reforzados cuando manipule las cuchillas.

Nivelación de la plataforma (lado a lado)

NOTA: Controle la presión de neumáticos del tractor antes de realizar cualquier nivelación de la plataforma. Consulte la sección Neumáticos para obtener información sobre la presión de los neumáticos. Nivele siempre la plataforma lado a lado antes de alinearla adelante atrás.

Si la plataforma de corte estuviera realizando el corte de césped de forma despareja, puede realizarse un ajuste lado a lado. De ser necesario, realice un ajuste de la siguiente manera:

1. Con el tractor estacionado sobre una superficie firme y nivelada, coloque el manija de elevación de la plataforma en una posición de corte media y rote las dos cuchillas exteriores para que se sitúen de forma perpendicular al tractor.
2. Mida la distancia desde la parte externa de la punta de la cuchilla izquierda hasta el piso, y desde la parte externa de la punta de la cuchilla derecha hasta el piso. Las dos mediciones obtenidas deben ser iguales. Si no lo son, realice el siguiente paso.
3. Afloje, pero NO extraiga, el perno de cabeza hexagonal ubicado en el gancho trasero izquierdo de la plataforma. Consulte la Figura 6-5.

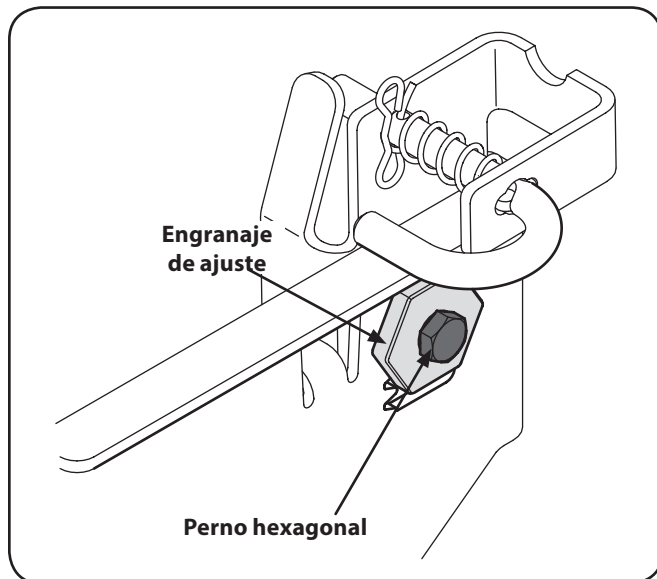


Figura 6-5

NOTA: El gancho trasero derecho de la plataforma no se puede ajustar y se utiliza para ajustar los otros ganchos.

4. Con una llave, levante o baje el lado izquierdo de la plataforma girando el engranaje de ajuste. Consulte la Figura 6-5.
5. La plataforma se encuentra correctamente nivelada cuando las dos mediciones desde las puntas de las cuchillas son iguales. Una vez alcanzado el ajuste necesario, vuelva a ajustar el perno de cabeza hexagonal de la ménsula frontal de suspensión izquierda de la plataforma.

Nivelación de la plataforma (adelante atrás)

NOTA: Controle la presión de neumáticos del tractor antes de realizar cualquier nivelación de la plataforma. Consulte la sección Neumáticos para obtener información sobre la presión de los neumáticos. Nivele siempre la plataforma lado a lado antes de alinearla adelante atrás.

La parte frontal de la plataforma debe estar entre $\frac{1}{4}$ " y $\frac{3}{8}$ " más abajo que la parte posterior. De ser necesario, realice un ajuste de la siguiente manera:

1. Estacione el tractor sobre una superficie firme y nivelada, y coloque el manija de elevación de plataforma en una posición media.
2. Rote la cuchilla lo más cerca posible del canal de descarga de manera que esté en paralelo con el tractor.
3. Mida la distancia desde la parte delantera de la punta de la cuchilla hasta el piso, y desde la parte posterior de la punta de la cuchilla hasta el piso. La primera medición realizada debe estar entre $\frac{1}{4}$ " y $\frac{3}{8}$ " menos que la segunda medición.
4. Determine la distancia aproximada necesaria para un ajuste adecuado y, de ser necesario, proceda.
5. Para levantar la parte delantera de la cubierta, retire la tapa, afloje la tuerca exterior y apriete (rosca hacia adentro) cada tuerca contra el soporte de suspensión delantera. Vea la Figura 6-6. Cuando se logra el ajuste correcto, vuelva a apretar la tuerca exterior y reemplace la tapa.

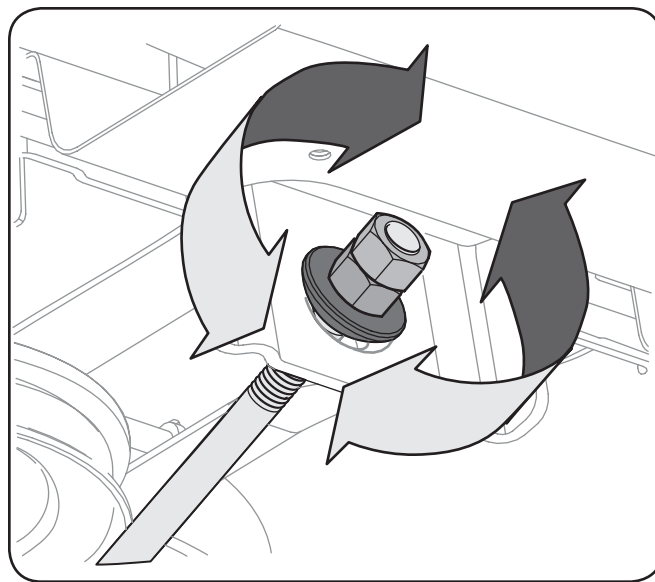


Figura 6-6

6. Para bajar la parte delantera de la cubierta, retire la tapa, afloje la tuerca exterior y luego afloje (rosca hacia afuera) la tuerca, lejos de la ménsula de suspensión frontal. Vea la Figura 6-5. Cuando se logra el ajuste correcto, vuelva a apretar la tuerca exterior y reemplace la tapa.

Ruedas de plataforma



¡ADVERTENCIA! Mantenga las manos y los pies lejos de la abertura de descarga de la plataforma de corte.

NOTA: Las ruedas de la plataforma son una característica anti-cuero cabelludo de la plataforma y no están diseñados para soportar el peso de la plataforma de corte.

Las ruedas de la plataforma debe ser de aproximadamente $\frac{1}{4}$ - $\frac{1}{2}$ " del suelo, cuando la cubierta se encuentra en el valor de altura deseado. Para ajustar las ruedas de la plataforma ver la sección Montaje y Configuración para ver las instrucciones.

Control de transmisión de la palanca de ajuste de tope

Cuando las palancas de control son a la vez completamente extendidos hacia adelante a la posición de máxima velocidad y las derivas del tractor izquierdo o derecho, el ajuste del tope de la palanca de control de la transmisión se puede ajustar para sincronizar las velocidades de las ruedas. Para realizar el ajuste, proceda de la siguiente manera:

1. Identifique el lado de que el tractor está a la deriva hacia y ajustar la palanca de accionamiento opuesto. Si el tractor se desvía derecha, ajuste la palanca de control izquierda hacia abajo (velocidad de disminución) y viceversa.
2. Localice los tornillos de ajuste del tope de la palanca de control de la unidad en la parte delantera del bastidor del asiento. Vea la Figura 6-7.

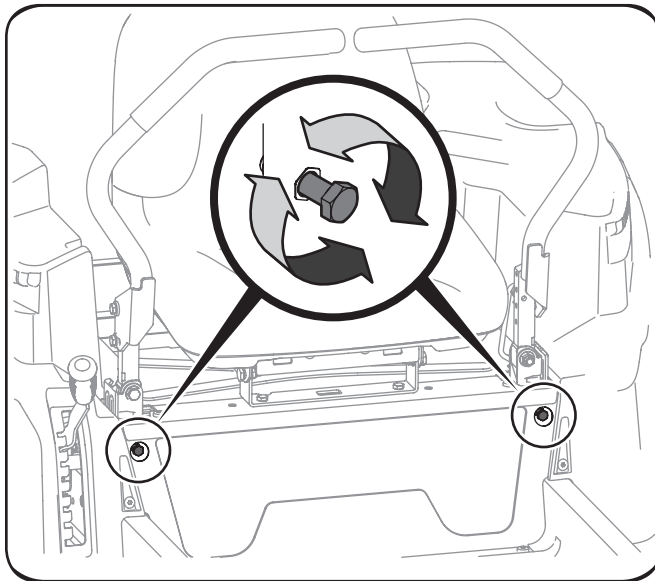


Figura 6-7

3. Para disminuir la velocidad de avance, gire el perno de las agujas del reloj. Para aumentar la velocidad de avance, de vuelta al tornillo en sentido antihorario. Gire el tornillo en la dirección necesaria cuarto-vuelta a la vez. Después de girar el tornillo, compruebe el ajuste por la conducción del tractor.
4. Continúe el ajuste hasta que las velocidades de las ruedas están en sintonía y el tractor impulsa directamente con las palancas de control totalmente extendidos hacia adelante en la posición de máxima velocidad.

Almacenamiento del tractor

Si su cortadora de césped no va a ser operado por un período prolongado de tiempo (treinta días para aproximadamente seis meses), la cortadora de césped debe estar preparado para el almacenamiento. Guarde la podadora en un lugar seco y protegido. Si se almacena afuera, cubra el tractor cortacésped (incluidos los neumáticos) para protegerlo de los elementos. Los procedimientos que se describen a continuación deben realizarse cada vez que el tractor cortacésped se coloca en el almacenamiento.

1. Cambie el aceite del motor y el filtro siguiendo las instrucciones indicadas en el manual del motor.



¡ADVERTENCIA! Nunca guarde el tractor cortacésped con combustible en el tanque en el interior o en recintos mal ventilados, donde los vapores del combustible pueden generar fuego, chispas o luz piloto, como en un horno, calentador de agua, secadora de ropa, etc

2. Atender el motor como se indica en el manual separado.
3. Motores almacenados entre 30 y 90 días deben ser tratados con un estabilizador de gasolina, como **STA-BIL®** y motores almacenados más de 90 días que sea necesario drenar el combustible para prevenir el deterioro y la formación de carbonilla en el sistema de combustible o en partes esenciales del carburador. Si la gasolina en su motor se deteriora durante el almacenamiento, es posible que deba tener el carburador y otros componentes del sistema de combustible, la reparación o sustitución.



¡ADVERTENCIA! Drene el combustible sólo en un contenedor aprobado al aire libre, lejos de una llama abierta. Deje que el motor se enfríe. Apague cigarrillos, cigarras, pipas y otras fuentes de ignición antes de drenar el combustible.

4. Quite las bujías y vierta aproximadamente una onza de aceite en cada cilindro. Girar el motor una o dos vueltas para difundir el aceite de manera uniforme sobre las paredes del cilindro. Reemplace las bujías.
5. Limpie el motor y toda la cortadora de césped a fondo.
NOTA: El uso de una lavadora a presión o manguera de jardín no se recomienda para limpiar su cortadora de césped. Pueden causar daños a los componentes eléctricos, engranajes, poleas, rodamientos o el motor. El uso de agua acortará la vida útil y reducir el mantenimiento.
6. Afilar las cuchillas de modo que la cortadora estará listo para usar cuando sea necesario.
7. Proteja las superficies metálicas. Reparación de arañazos con la pintura en aerosol de retoque apropiado. Cepille un aceite antioxidante en todas las superficies no pintadas incluyendo las poleas y palas. (Tenga cuidado de no hay nada de aceite en las correas de transmisión.)
8. Limpie y cargue completamente la batería, desconecte el cable negativo de la batería para evitar posibles descargas. Vuelva a cargar la batería periódicamente durante el almacenamiento.

NOTA: Retire la batería si está expuesta a períodos prolongados de temperaturas bajo cero. Almacene en un

Retiro de la batería



¡ADVERTENCIA! Los postes, bornes y accesorios de la batería contienen plomo y compuestos de plomo. Lávese las manos después de estar en contacto con estos componentes.

La batería está ubicada debajo del marco del asiento. Para retirar la batería:

1. Extraiga el tornillo de la arandela hexagonal que sujeta el soporte de sujeción de la batería al marco. Luego levante el soporte de sujeción de la batería para liberar la batería. Vea la Figura 7-1.

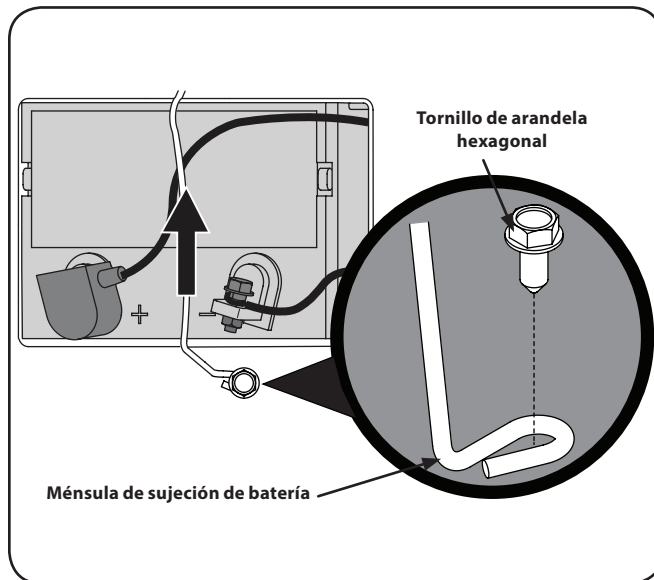


Figure 7-1

2. Retire el tornillo hexagonal y la tuerca Sems que fijan el conductor negativo negro de la batería al borne negativo de la batería (marcado 'NEG'). Aleje el cable del borne negativo de la batería.
3. Retire el tornillo hexagonal y la tuerca Sems que fijan el conductor positivo rojo de la batería al borne positivo de la batería (marcado 'POS').
4. Levante con cuidado la batería para sacarla del tractor.
5. Instale la batería repitiendo los pasos anteriores en orden inverso.



¡ADVERTENCIA! Siempre conecte el conductor positivo a la batería antes de conectar el conductor negativo. Esto evita la generación de chispas o posibles lesiones producidas por un cortocircuito eléctrico causado por el contacto del cuerpo del tractor con las herramientas que se usan para conectar los cables.

Carga de la batería

Si el tractor ha estado guardado durante un tiempo, pruebe la batería y, si es necesario, recárguela.

- Un voltímetro o medidor de carga debería dar una lectura de 12.6 voltios (CC) o más en todos los bornes de la batería. Vea la Figura 7-2.

Voltmeter Reading	State of Charge	Charging Time
12.7	100%	Full Charge
12.4	75%	90 Min.
12.2	50%	180 Min.
12.0	25%	280 Min.

Figure 7-2

- Cargue la batería con un cargador de batería de 12 voltios a un MÁXIMO de 10 amperios.

Mantenimiento del sistema eléctrico

El tractor tiene instalado un fusible para proteger el sistema eléctrico de los daños causados por el exceso de amperaje. Siempre reemplace con fusibles de la misma capacidad. Si el sistema eléctrico no funciona, controle si hay un fusible quemado.

Si se repite el problema de los fusibles quemados, haga que el sistema eléctrico del tractor sea revisado por el distribuidor Cub Cadet.

Relés e interruptores

Hay varios interruptores de seguridad en el sistema eléctrico. Si una función del sistema de bloqueo de seguridad descrito antes no funciona adecuadamente, haga que el distribuidor Cub Cadet revise el sistema eléctrico.

Retiro de la plataforma

Retire la plataforma de corte del tractor de la siguiente forma:

1. Desplace el tractor a una superficie nivelada, desconecte la PTO, pare el motor y ponga el freno de mano.
2. Mueva las ruedas de calibración de la plataforma o los rodillos a su ajuste más alto (ajuste más bajo de la plataforma).
3. Retire la correa en 'V' de la polea de la toma de fuerza (PTO), ubicada en la base del motor, usando uno de los dos métodos siguientes.



¡ADVERTENCIA! El silenciador en la parte trasera del tractor puede estar sumamente caliente y podría causar quemaduras graves. Tenga mucho cuidado cuando se encuentre cerca del silenciador. Deje que el silenciador se enfríe totalmente antes de retirar la correa de la polea de la toma de fuerza (PTO).

Para aflojar la tensión de la correa con la polea loca.

1. Usando la manija de elevación de la plataforma, levante la plataforma a la posición que le ofrece mayor recorrido horizontal de la correa entre las poleas locas de la plataforma y la polea de la PTO en la base del motor. Vea la Figura 7-3.

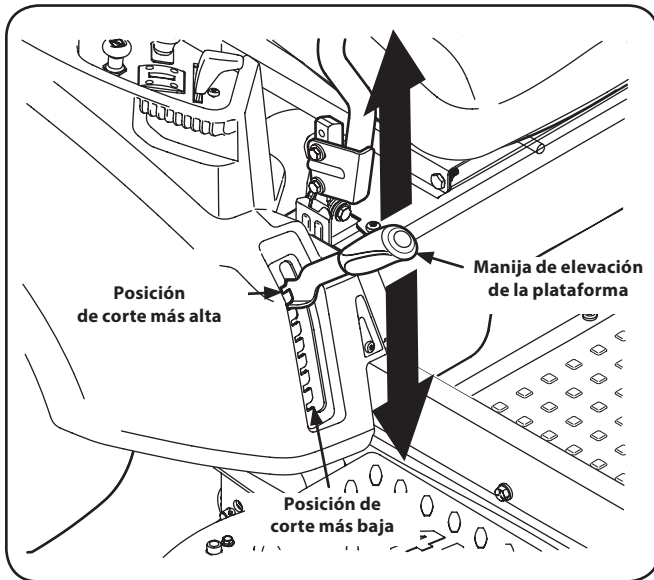


Figure 7-3

2. Desde la parte media del tractor, haga girar el soporte de polea loca y la polea loca móvil hacia atrás, separándolos de la parte posterior de la correa en 'V' a una distancia suficiente que permita levantar la correa, por encima de la polea loca. Vea la Figura 7-4.

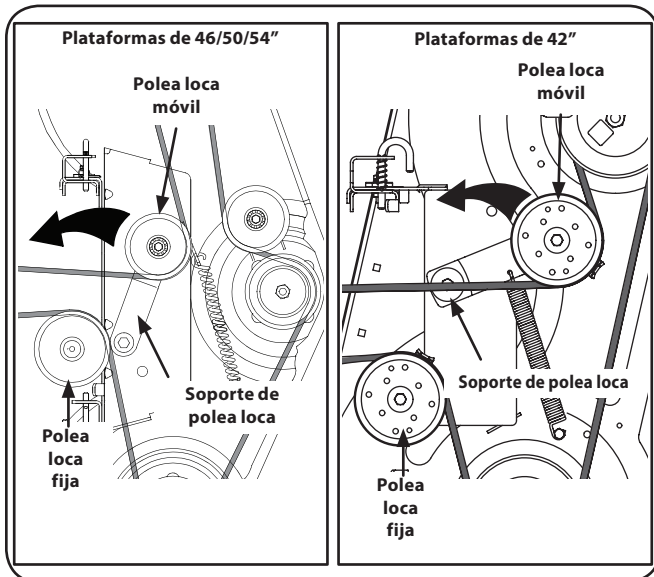


Figure 7-4

3. Desde abajo de la parte trasera del tractor, deslice la correa para sacarla de la polea de la toma de fuerza (PTO) en la base del motor.

Haciendo rodar la correa para sacarla de la polea de la toma de fuerza (PTO).

1. Usando la manija de elevación de la plataforma, levante la plataforma a la posición que le ofrece mayor recorrido horizontal de la correa entre las poleas locas de la plataforma y la polea de la PTO en la base del motor.
2. Sentado detrás del tractor, mirando hacia adelante, estire la mano debajo del tractor para agarrar la correa por delante de la polea de la PTO.



¡ADVERTENCIA! Tenga cuidado de no pellizcarse los dedos cuando saca la correa de la polea de la PTO.

3. Tire del lado izquierdo de la correa hacia atrás y hacia abajo mientras gira manualmente la polea de la PTO hacia la derecha hasta que la correa se deslice hacia afuera sobre el borde inferior de la polea.
- NOTA:** Si tira del lado derecho de la correa, gire la polea hacia la izquierda.
4. Mientras sostiene la correa hacia abajo, siga girando la polea de la PTO hasta que la correa se deslice fuera de la polea. Consulte la Figura 7-5.

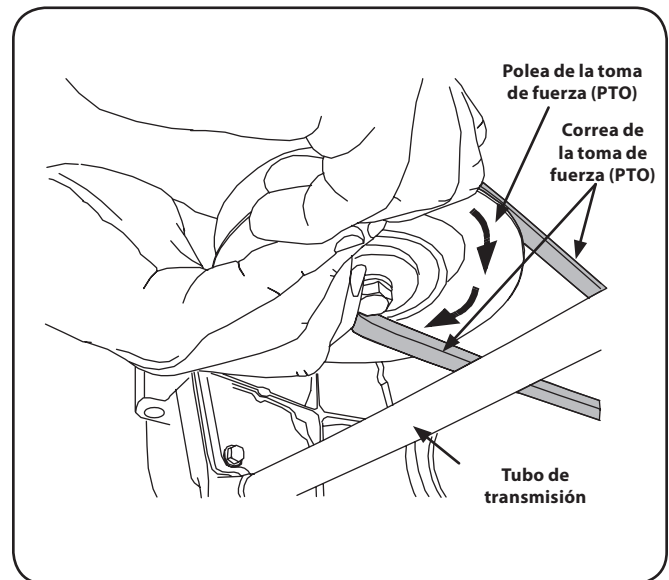


Figure 7-5

5. Baje la plataforma hasta la posición más baja usando la manija de elevación de la plataforma. Vea la Figura 7-3.

- Tire del pasador de chaveta hacia afuera de la varilla de elevación delantera de la plataforma que la sujeta a la plataforma. Consulte la Fig. 7-6. Deslice la varilla de elevación de la plataforma fuera de la ménsula de suspensión frontal.

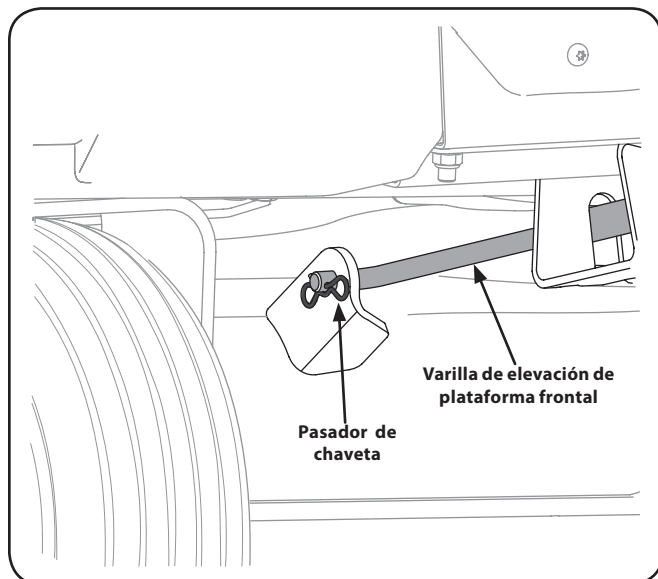


Figure 7-6

- Ubique los pasadores de liberación de la plataforma del lado izquierdo y del lado derecho que se encuentran a cada lado de la plataforma. Tire de los pasadores de liberación hacia afuera y suelte la plataforma de los brazos de elevación del lado derecho e izquierdo de la plataforma. Vea la Figura 7-7.

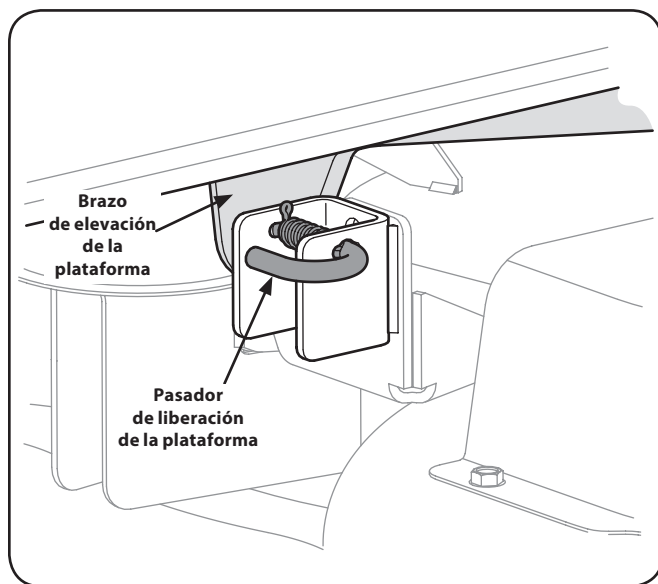


Figure 7-7

- Ubique la manija de elevación de la plataforma en la posición de corte más elevada y deslice la plataforma hacia afuera desde abajo del tractor.


Instalación de la plataforma

Instale la plataforma sobre el tractor de la siguiente forma:

- Ubique la manija de elevación de la plataforma en la posición de corte más elevada. Vea la Figura 7-3.
- Deslice la plataforma debajo del tractor del lado derecho del mismo, alineando las ménsulas de suspensión de la plataforma y los brazos de elevación de la plataforma.
- Una vez que la plataforma esté debajo del tractor, mueva la manija de elevación de la plataforma a la posición de corte más baja.

NOTA: Para que los soportes se alineen adecuadamente puede ser necesario colocar un bloque de madera pequeño debajo de cada lado de la plataforma.

- Tire de los pasadores de liberación de la plataforma hacia afuera y ubique la plataforma según sea necesario para alinear los orificios de los brazos de elevación de la plataforma con los pasadores. Consulte la Figura 7-7.
- Una vez alineados, empuje cada pasador totalmente hacia adentro a través de los brazos de elevación para fijar los brazos en las ranuras de las ménsulas de suspensión traseras.
- Vuelva a instalar la varilla de elevación delantera de la plataforma y sujétela en su lugar con el pasador de chaveta. Consulte la Figura 7-6.
- Asegúrese de que la correa en 'V' esté en las poleas del husillo de la plataforma, luego pase la correa hacia atrás por debajo del bastidor del tractor, por encima del (de los) tubo(s) de transmisión, hacia la polea de la toma de fuerza (PTO) en la base del motor.
- Usando la manija de elevación de la plataforma, levante la plataforma a la posición que le ofrece mayor recorrido horizontal de la correa entre las poleas locas de la plataforma y la polea de la PTO en la base del motor.
- Asegúrese de que la correa esté en las poleas del husillo de la plataforma y que el lado trasero de la correa esté contra las poleas locas fija y móvil.
- Sentado detrás del tractor, mirando hacia adelante, asegúrese de que la correa no esté retorcida; luego estire la mano debajo del tractor para agarrar la correa y tirar de la misma hacia la polea de la PTO.

- 
¡ADVERTENCIA! Tenga cuidado de no pellizcarse los dedos cuando coloca la correa en la polea de la potencia de arranque.

Tire del lado derecho de la correa hacia atrás y coloque el lado V angosto de la correa en la polea de la PTO. Vea la Figura 7-5.

- Mientras sostiene la correa y la polea juntas, rote la polea hacia la izquierda (Vea la Figura 7-5). Siga sosteniendo y rotando la polea y la correa hasta que la correa se enrolle totalmente en la polea de la PTO.

NOTA: Antes de usar el tractor, compruebe la instalación de la correa para estar seguro de que la misma se ha colocado correctamente.

Cambio de la correa

1. Retire la plataforma desde abajo del tractor, (consulte Extracción de la plataforma).
2. Afloje, pero no quite el hardware de la derecha y la izquierda de la polea loca. Consulte la Figura 7-8 para 42" cubiertas, Figura 7-9 para 46" cubiertas y la Figura 7-10 para 54" cubiertas.

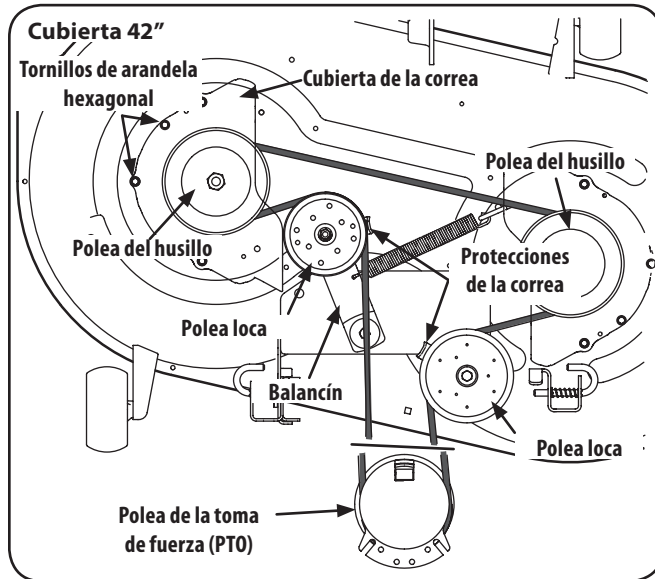


Figura 7-8

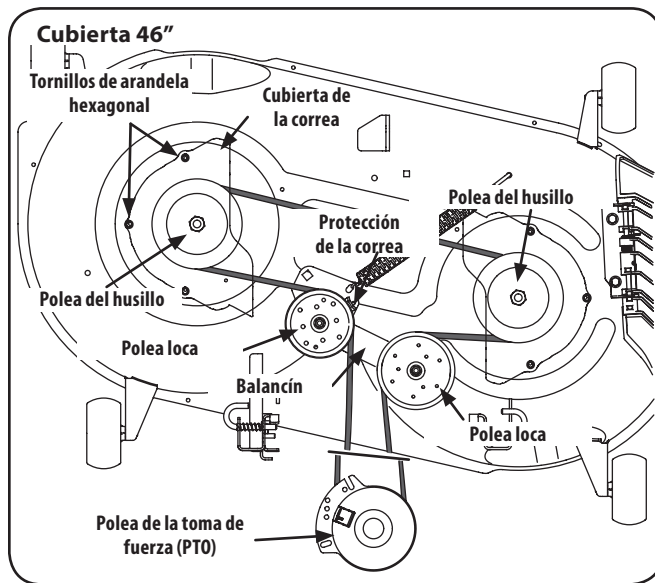


Figura 7-9

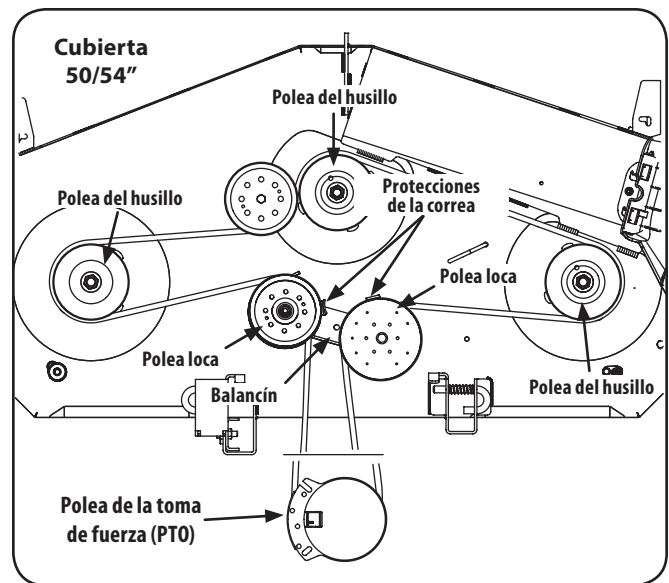


Figura 7-10

NOTA: Tome nota de la posición de los protectores de la correa para asegurarse de que se re-instalados correctamente.

NOTA: en algunas cubiertas puede ser necesario para eliminar el husillo cubre para eliminar y / o instalar la nueva correa. Para quitar las cubiertas de huso, quite los tornillos de fijación a la cubierta.

3. Retire con cuidado la cinta de alrededor de las poleas tensoras y las poleas del husillo.
4. Instale la nueva correa alrededor de las poleas como se muestra y vuelva a instalar las cubiertas de la correa.
5. Coloque la correa alrededor de las poleas tensoras que retiró en el paso 3 con la cara de "V". Una vez en su lugar, volver a instalar todo el hardware y apriete la tuerca de seguridad con brida para fijar el conjunto.
6. Coloque la correa como se muestra a continuación, vuelva a instalar la cubierta (consulte Instalación de la plataforma).

Cuidado de las cuchillas de la cortadora de césped



¡ADVERTENCIA! Antes de realizar cualquier tarea de mantenimiento, coloque el interruptor de la toma de fuerza (PTO) en la posición "OFF" (apagado), enganche la palanca del freno de mano, gire la llave de encendido a la posición "OFF" (apagado) y retire la llave del interruptor. Proteja sus manos utilizando guantes reforzados cuando manipule las cuchillas. Cuando realice el mantenimiento de la plataforma de la cortadora de césped, tenga cuidado para no cortarse con las cuchillas filosas.

Las cuchillas de corte deben estar siempre afiladas. Afile los bordes de corte de las cuchillas de forma pareja de modo que las cuchillas queden balanceadas y se mantenga el mismo ángulo de filo.

Si el borde de corte de una cuchilla ya se ha afilado muchas veces, o si hay alguna separación en el metal, se recomienda instalar cuchillas nuevas. El distribuidor autorizado le puede proveer cuchillas nuevas.

Las cuchillas se pueden extraer de la siguiente manera.

1. Retire la plataforma desde abajo del tractor, (consulte la sección Retiro de la plataforma en la página 27); luego voltee con delicadeza la plataforma para dejar al descubierto su parte inferior.
2. Use una llave de $\frac{15}{16}$ " para sostener la tuerca hexagonal en la parte superior del conjunto del husillo cuando afloje la tuerca hexagonal que fija la cuchilla. Se puede colocar un bloque de madera entre el alojamiento de la plataforma y el borde de corte de la cuchilla para ayudar a aflojar la tuerca hexagonal que fija la cuchilla. Vea la Figura 7-9.

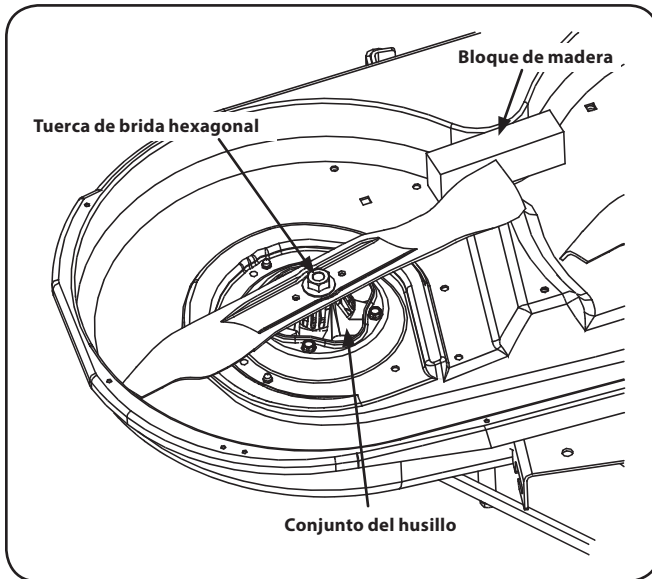


Figure 7-11

3. Cuando reinstale las cuchillas, asegúrese de que se instalen de modo que las aletas se orienten hacia arriba hacia la parte superior de la plataforma.
4. Ajuste las tuercas de las cuchillas a 70-90 pies libras.
5. Reinstale la plataforma (consulte Instalación de la plataforma en la página 30).

Cambio de la correa de transmisión

Para cambiar la correa de transmisión del tractor, se deben retirar varios componentes y se requieren herramientas especiales. Solicite a su distribuidor Cub Cadet que realice el reemplazo de la correa de transmisión.

Desplazamiento lento del tractor

Desplazamiento lento es el movimiento de la máquina hacia adelante o hacia atrás cuando el acelerador está activado y las palancas de control de transmisión están en posición neutra. Si la cortadora de césped se desplaza lentamente, consulte al distribuidor autorizado para el mantenimiento.

Problema	Causa	Solución
Vibración excesiva	<ol style="list-style-type: none"> 1. Cuchilla de corte floja o descentrada. 2. Cuchilla dañada o doblada. 	<ol style="list-style-type: none"> 1. Apriete la cuchilla y el husillo. 2. Reemplace la cuchilla.
Corte desigual	<ol style="list-style-type: none"> 1. La plataforma no está correctamente nivelada. 2. Cuchilla desafilada. 3. Presión de neumáticos desigual. 	<ol style="list-style-type: none"> 1. Haga un ajuste de la plataforma de lado a lado. 2. Afile o cambie la cuchilla. 3. Verifique la presión de los cuatro neumáticos.
La cortadora de césped no procesa los recortes como abono (si está equipada con kit de abono)	<ol style="list-style-type: none"> 1. La velocidad del motor es demasiado lenta. 2. Césped mojado. 3. Césped demasiado alto. 4. Cuchilla desafilada. 	<ol style="list-style-type: none"> 1. Coloque el acelerador en la posición FAST velocidad rápida, representada por una liebre). 2. No procese abono cuando el césped está mojado. 3. Corte una vez con altura de corte elevada luego vuelva a cortar el césped a la altura deseada, o haga una pasada de corte más angosta. 4. Afile o cambie la cuchilla.

DECLARACIÓN FEDERAL y/o DE CALIFORNIA SOBRE GARANTÍAS EN EL CONTROL DE EMISIONES SUS DERECHOS Y OBLIGACIONES EN CUANTO A LA GARANTÍA

MTD Consumer Group Inc, la Agencia de Protección Medioambiental de los Estados Unidos (EPA), y para aquellos productos certificados para su venta en el estado de California, el Departamento de los Recursos del Aire de California (CARB) se complacen en explicar la garantía que evaporativo sistema de control de emisiones (ECS) de su equipo (equipos de exteriores) de encendido por chispa para todo terreno, pequeño, de exteriores del año 2014-2015. En California, los nuevos motores de equipos de exteriores deben estar diseñados, contruidos y equipados para cumplir con las estrictas normas antipolución del Estado (en otros estados, equipos de exteriores deben ser estar diseñados, contruidos y equipados para cumplir con las regulaciones de motores de encendido por chispa para todo terreno pequeños de la Agencia de Protección Medioambiental de los Estados Unidos, (EPA). MTD Consumer Group Inc. debe garantizar el sistema de control de emisiones (ECS) de su motor de equipos de exteriores por el período de tiempo indicado más abajo, siempre y cuando no exista uso incorrecto, negligencia o mantenimiento inadecuado de equipos de exteriores.

Su ECS puede incluir piezas tales como el los depósitos de combustible, las líneas de combustible, los tapones de combustible, las válvulas, contenedores, filtros, mangueras de vapor, abrazaderas, conectores y otros componentes afines relacionados con las emisiones.

Donde exista una condición cubierta por la garantía, MTD Consumer Group Inc. reparará de equipos de exteriores sin costo alguno incluyendo el diagnóstico, las piezas y la mano de obra.

COBERTURA DE LA GARANTÍA DEL FABRICANTE:

Este sistema de control de emisiones se garantiza por el término de dos años. Si alguna pieza relacionada con las emisiones de su motor de equipos de exteriores es defectuosa, MTD CONSUMER GROUP INC. reparará o sustituirá dicha pieza.

RESPONSABILIDADES DEL PROPIETARIO SEGÚN LA GARANTÍA:

En su carácter de propietario de equipos de exteriores, usted es responsable del mantenimiento requerido que se especifica en el manual del propietario. MTD Consumer Group Inc le recomienda que conserve todos los recibos que cubren el mantenimiento de equipos de exteriores, obstante lo cual MTD Consumer Group Inc no podrá denegar el cumplimiento de la garantía únicamente por la falta de los recibos.

Como propietario de equipos de exteriores, usted debe saber que MTD Consumer Group Inc. puede denegar la cobertura de la garantía si su equipos de exteriores o una pieza del mismo fallan debido a uso incorrecto, negligencia, mantenimiento indebido o a modificaciones no aprobadas.

Usted es responsable de presentar su equipos de exteriores al centro de distribución o servicio técnico de MTD Consumer Group Inc. tan pronto como aparezca el problema. Las reparaciones cubiertas por la garantía se deben llevar a cabo en un lapso razonable que no exceda de 30 días. Si tiene alguna pregunta respecto de la cobertura de la garantía, póngase en contacto con el Departamento del Servicio Técnico de MTD Consumer Group Inc. al teléfono 1-800-800-7310 o por correo electrónico en <http://support.mtdproducts.com>.

COBERTURA DE LA GARANTÍA DE EMISIONES GENERALES:

MTD Consumer Group Inc garantiza al comprador final y a cada comprador subsiguiente que el equipos de exteriores: está diseñado, construido y equipado de modo de cumplir con todas las regulaciones aplicables y que se encuentra libre de defectos de materiales y de fabricación que pudieren causar la falla de una pieza garantizada idéntica, en todos los aspectos materiales a la pieza descrita en la solicitud de certificación de MTD Consumer Group Inc.

El período de garantía comienza en la fecha de entrega del equipos de exteriores al comprador final o en la fecha en que la máquina se pone en funcionamiento por primera vez. El período de garantía es de dos años.

Sujeto a ciertas condiciones y exclusiones que se indican a continuación, la garantía de las piezas relacionadas con las emisiones es la siguiente:

1. Cualquier pieza garantizada que no esté programada para ser reemplazada como parte del mantenimiento requerido en las instrucciones escritas suministradas se garantiza por el período de garantía arriba mencionado. Si la pieza falla durante el período de cobertura de la garantía, la misma será reparada o reemplazada por MTD Consumer Group Inc. de acuerdo con el párrafo (4) a continuación. Cualquier pieza reparada o reemplazada según la garantía se garantizará por el resto del período de garantía.
2. Cualquier pieza garantizada que esté programada solamente para inspección regular en las instrucciones escritas suministradas se garantiza por el período de garantía arriba mencionado. Cualquier pieza reparada o reemplazada según la garantía se garantizará por el resto del período.
3. Cualquier pieza garantizada que esté programada para reemplazo según el mantenimiento requerido de conformidad con las instrucciones escritas suministradas, se garantiza por el período de tiempo anterior a la primera fecha de reemplazo programada para esa pieza. Si la pieza falla antes del primer reemplazo programado, la misma será reparada o reemplazada por MTD Consumer Group Inc. de acuerdo con el párrafo (4) a continuación. Cualquier pieza reparada o reemplazada bajo garantía se garantizará por el resto del período anterior al primer reemplazo programado puntual para esa pieza.
4. La reparación o el reemplazo de cualquier pieza garantizada de conformidad con las disposiciones de la garantía que aquí se estipula se deben realizar en un centro de garantía sin costo alguno para el propietario.
5. No obstante las disposiciones que aquí se estipulan, los servicios o reparaciones bajo garantía se suministrarán en todos nuestros centros de distribución bajo franquicia de mantenimiento para los motores o equipos en cuestión.
6. El propietario de equipos de exteriores no deberá pagar el trabajo de diagnóstico directamente asociado con una pieza garantizada defectuosa en relación con las emisiones, siempre y cuando dicho trabajo de diagnóstico se realice en un centro cubierto por la garantía.
7. MTD Consumer Group Inc es responsable por daños causados a otros componentes de motores o equipos derivados de la falla bajo garantía de cualquier pieza garantizada.

8. Durante la totalidad del período de garantía del motor y equipo para todo terreno arriba mencionado, MTD Consumer Group Inc mantendrá un suministro de piezas bajo garantía suficiente para satisfacer la demanda esperada de tales piezas.
9. Cualquier pieza de reemplazo se podrá usar para el cumplimiento del mantenimiento o las reparaciones bajo garantía y se suministrarán sin cargo para el propietario. Dicho uso no reducirá las obligaciones de garantía de MTD Consumer Group Inc.
10. No se podrán usar piezas adicionales ni modificadas que no estén exentas de acuerdo con el Departamento de los Recursos del Aire (Air Resources Board). El uso de cualquier pieza adicional o modificada no exenta por el comprador final será causal de invalidez de los reclamos bajo garantía. MTD Consumer Group Inc no tendrá responsabilidad por la garantía de fallas de piezas garantizadas que fueren causadas por el uso de una pieza adicional no exenta o modificada.

PIEZAS GARANTIZADAS:

La reparación o el reemplazo de cualquier pieza garantizada que de otro modo pudiese estar cubierta por la garantía podrá ser excluida de tal cobertura de garantía si MTD Consumer Group Inc demuestra que el equipo de exteriores es objeto de uso incorrecto, negligencia o mantenimiento inadecuado, y que tal uso incorrecto, negligencia o mantenimiento inadecuado fue causa directa de la necesidad de reparación o reemplazo de dicha pieza. No obstante lo antedicho, cualquier ajuste de un componente con un dispositivo de limitación de ajuste instalado en fábrica y que funcione adecuadamente, podrá ser cubierto por la garantía. Además, la cobertura bajo esta garantía se extiende solo a piezas que estuvieron presentes en y equipo todo terreno adquiridos.

Están cubiertas las siguientes piezas con garantía para emisiones (de corresponder):

1. Sistema de medición de combustible
 - Bomba de combustible
 - Depósito de combustible
2. Control evaporativo
 - Manguera de combustible
 - Abrazaderas de la manguera de combustible
 - Tapón del combustible atado por correa
 - Caja de carbono
 - Líneas de vapor

GARANTÍA LIMITADA DEL FABRICANTE PARA



La siguiente garantía limitada es otorgada por Troy-Bilt LLC con respecto a nuevos productos adquiridos y utilizados en Estados Unidos y/o sus territorios y posesiones, y por MTD Products Limited con respecto a nuevos productos adquiridos y utilizados en Canadá y/o sus territorios y posesiones (cualquiera de las dos entidades, respectivamente, "Troy-Bilt").

Esta garantía es adicional a la garantía de emisiones aplicables proporcionada con el producto.

"Troy-Bilt" garantiza este producto (excluidas *las Piezas con Desgaste Normal, Marco y Accesorios* según se describe más abajo) contra defectos en los materiales y mano de obra por un período de tres (3) años a partir de la fecha de compra original y, a su opción, reparará o reemplazará, sin costo alguno, cualquier pieza que presente defectos en los materiales o de mano de obra. Esta garantía limitada sólo se aplicará si el producto ha sido operado y mantenido de acuerdo con las instrucciones del Manual del Operador que se proporciona con el producto y no ha sido sujeto a uso inapropiado, abuso, uso comercial, abandono, accidente, mantenimiento incorrecto, alteración, vandalismo, robo, incendio, inundación o algún daño debido a otro peligro o desastre natural. El daño resultante por la instalación o el uso de piezas, accesorios o aditamentos no aprobados por Troy-Bilt para su uso con el(los) producto(s) incluido(s) en este manual anulará la garantía en lo que respecta a esos daños.

Se garantiza que *las Piezas con Desgaste Normal* están libres de defectos en los materiales y mano de obra por un período de treinta (30) días a partir de la fecha de compra. Las piezas sujetas a desgaste normal incluyen pero no se limitan a: baterías, correas, cuchillas, adaptadores para cuchillas, dientes, bolsas para pasto, ruedas, ruedas para la plataforma de la podadora tractor, asientos, zapatas antideslizantes, ruedas de fricción, placas de raspado, gomas helicoidales y neumáticos.

Marco — Troy-Bilt garantiza el bastidor contra defectos en materiales y mano de obra durante la vida útil del producto, solamente al comprador original, a partir de la fecha original de compra o arrendamiento durante el tiempo que el comprador original sea propietario de ella.

Accesorios — Troy-Bilt garantiza que los accesorios de este producto están libres de defectos de material y mano de obra durante un período de un (1) año a partir de la fecha de compra o arrendamiento original del accesorio. Los accesorios incluyen, pero no se limitan a elementos tales como: colectores de césped y kits para abono.

CÓMO SOLICITAR Y OBTENER SERVICIO TÉCNICO: El servicio de la garantía está disponible, CON COMPROBANTE DE COMPRA, a través de su distribuidor local autorizado para el mantenimiento. Para localizar al distribuidor de su zona:

En Estados Unidos de América

Consulte las páginas amarillas, o póngase en contacto con Troy-Bilt LLC en P.O. Box 361131, Cleveland, Ohio 44136-0019, llame al 1-866-840-6483, o visite nuestro sitio web en www.troybilt.com.

En Canadá

Póngase en contacto con MTD Products Limited, Kitchener, ON N2G 4J1, llame al 1-800-668-1238 ó visite nuestro sitio web en www.mtdcanada.com.

Esta garantía limitada **no** suministra cobertura en los siguientes casos:

- El motor o las piezas que lo componen. Estos productos pueden tener garantía del fabricante por separado. Consulte los términos y condiciones de la garantía aplicable del fabricante.

- Las bombas, válvulas y cilindros del rompetroncos tienen una garantía separada de un año.
- Los artículos necesarios para el mantenimiento de rutina como por ejemplo lubricantes, filtros, afiladores de cuchillas, sincronización del motor, los ajustes de los frenos, del embrague o de la plataforma y el deterioro normal del acabado exterior debido al uso o exposición.
- Mantenimiento no realizado por el distribuidor de servicio autorizado.
- Troy-Bilt no extiende ninguna garantía para los productos vendidos o exportados fuera de los Estados Unidos de América y/o Canadá, y sus respectivas posesiones y territorios, excepto para aquellos vendidos a través de los canales autorizados de distribución de exportaciones de Troy-Bilt.
- Piezas de reemplazo que no son piezas originales de Troy-Bilt.
- Gastos de transporte y visitas técnicas.
- Troy-Bilt no garantiza este producto para uso comercial.

No existe ninguna garantía implícita, incluyendo cualquier garantía implícita de comerciabilidad o adaptabilidad para un propósito en particular, una vez transcurrido el período aplicable de garantía escrita según lo antedicho en relación con las piezas identificadas. Ninguna otra garantía expresa, ni oral ni escrita, excepto la mencionada anteriormente, extendida por personas reales o jurídicas, incluidos los distribuidores o los minoristas con respecto a cualquier producto, obligará a Troy-Bilt. Durante el plazo de la garantía el único recurso es la reparación o reemplazo del producto como se indicó anteriormente.

Las disposiciones de esta garantía cubren el recurso de reparación única y exclusiva que surge de la venta. Troy-Bilt no se hará responsable de ninguna pérdida o daño incidental o resultante, incluyendo sin limitación, los gastos incurridos para los servicios de mantenimiento del césped, o los gastos de arrendamiento para reemplazar de manera transitoria un producto bajo garantía.

Algunos estados no permiten la exclusión o limitación de los daños y perjuicios incidentales o directos, o las limitaciones sobre la duración de las garantías implícitas, por lo que las exclusiones o limitaciones mencionadas anteriormente pueden no serle de aplicación.

En ningún caso se obtendrá una compensación de ningún tipo por un monto mayor al precio de compra del producto vendido. **La alteración de las características de seguridad del producto anulará esta garantía.** Usted asume el riesgo y la responsabilidad de las pérdidas, daños o lesiones que sufran usted y sus bienes y/u otras personas y sus bienes como resultado del uso incorrecto o de la falta de capacidad para usar este producto.

Esta garantía limitada cubre solamente al comprador original, o a la persona que recibió el producto de regalo.

CÓMO SE RELACIONA LA LEGISLACIÓN ESTATAL CON ESTA

GARANTÍA: Esta garantía limitada le otorga derechos legales específicos y usted también puede tener otros derechos que varían de un estado a otro.

IMPORTANTE: El propietario debe presentar comprobante de compra original para obtener la cobertura de la garantía.

**Troy-Bilt LLC, P.O. BOX 361131 CLEVELAND, OHIO 44136-0019, Teléfono: 1-866-840-6483, 1-330-558-7220
MTD Canada Limited - KITCHENER, ON N2G 4J1; teléfono 1-800-668-1238**